

BLADE CHANGE (continued):

retighten the screw firmly before use. Make sure spindle lock is pulled out before turning saw on.

OPERATING:

To avoid accidental starting, DISCONNECT THE SAW FROM POWER SOURCE before inserting the cutting head into the toe-space. The safest way is by angling it in (Figure 1).

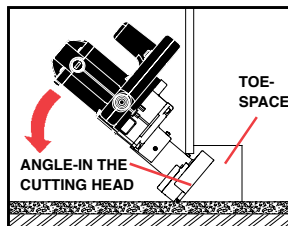


FIGURE 1

Plug-in the saw. Grasp the handles firmly and pull the trigger. Moving the saw slowly forward retracts the guards and exposes the blade. Press down on the handles slowly to plunge the blade into the cut. Slowly push the saw forward and along the toe-kick (Figure 2). Do not force the saw; let the blade cut at the highest RPM possible.

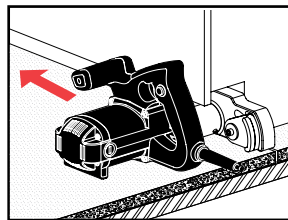
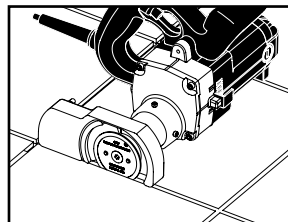


FIGURE 2

As you complete the cut, release the trigger and make sure the motor comes to a full stop before removing the saw from the toe-space. Unplug the saw before removing from the toe-space.

DIAMOND BLADE

A diamond blade is available as an accessory. It's used to saw out tile under toe spaces or on counters. Also, for tile repair, it can be used to remove field tiles.

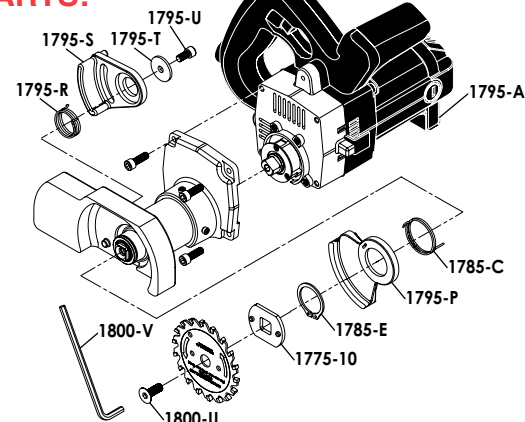


Caution: Do not overheat this blade! Cut 6ft. maximum and allow cooling. Avoid cutting into wood subfloors as this gums up the diamond grit. For best results, lay down underlayment or plywood at least the width of the saw so that the diamond blade cuts only to a depth corresponding to the thickness of tile. Make sure no chicken wire or expanded metal has been installed under tiles to be cut.

MAINTENANCE:

If the saw is dropped, the blade guard may be bent, restricting the full return of the blade guard. With the cord unplugged, check operation of the blade guard before each use. Dust build-up can also restrict the full return of the blade guard. Clear off all dust periodically.

REPLACEMENT PARTS:



Order No.	Description
1775-10	Blade Driver
1785-C	Return Spring
1785-E	Blade Guard Retainer Ring
1795-A	120V Power Unit
1795-G	Carrying Case (not shown)
1795-J	Brush Set (not shown)
1795-K	Power Cord (not shown)
1795-L	Switch (not shown)
1795-N3	Spindle w/ Gear (not shown)
1795-O3	Armature w/ Fan (not shown)
1795-P	Primary Guard
1795-R	Secondary Guard Return Spring
1795-S	Secondary Guard
1795-T	Secondary Guard Washer
1795-U	Secondary Guard Screw
1800-U	Socket Set Screw
1800-V	Allen® Wrench

DUST HAZARD WARNING:

Some dust created by power sanding, sawing, grinding, drilling, and other construction activities contains chemicals known to the State of California to cause cancer, birth defects or other reproductive harm. Some examples of these chemicals are:

- Lead from lead-based paints,
- Crystalline silica from brick, cement and other masonry product, and
- Arsenic and chromium from chemically-treated lumber.

Your risk from these exposures varies, depending on how often you do this type of work. To reduce your exposure to these chemicals: work in a well-ventilated area, and work with approved safety equipment, such as those dust masks that are specially designed to filter out microscopic particles.

SAW SPECIFICATIONS:

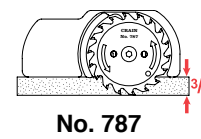
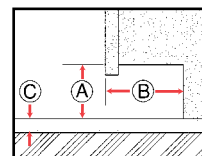
ELECTRICAL: 120 VAC, 11 AMPs, 60 HZ Double Insulated, 2 1/2 HP Motor, No Load Speed 4500 RPM

REP. BLADE: #787 Carbide
#789 Diamond

GROSS WT: 11.8 LBS.

MIN. /MAX. DIMS. FOR TOE-KICK TO BE CUT:

- Ⓐ MIN. HEIGHT: 3 1/2"
- Ⓑ MAX. DEPTH: 4"
- Ⓒ MAX. FLOOR THICKNESS: 3/4" - No. 787 Blade



GUARANTEE

This Crain tool is guaranteed to be free of defects due to faulty materials or workmanship for a period of 90 days.

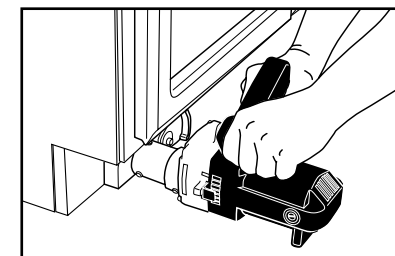
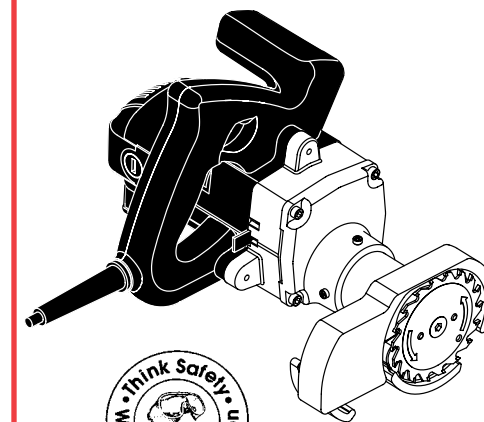
During this period, any parts of tools found defective subject to the guarantee will be replaced at no charge. Returns should be sent freight PREPAID, in assembled condition and with a copy of the Bill of Sale (proof of purchase) to CRAIN CUTTER COMPANY, 1155 Wrigley Way, Milpitas, CA 95035. New tools or loaners will not be given for those pending warranty repairs.

No claims shall exceed in amount the suggested sales price of the product. No other guarantee, oral or written, is expressed or implied.

DATE OF MFG. _____

CRAIN CUTTER CO., INC.
1155 WRIGLEY WAY, MILPITAS, CA 95035-5426
TEL: 408-946-6100 FAX: 408-946-4268

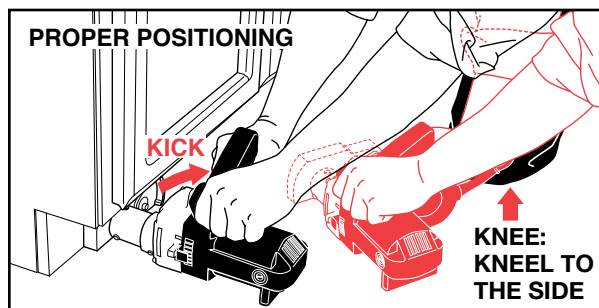
INSTRUCTION MANUAL FOR



CRAIN
No. 775 TOE-KICK SAW

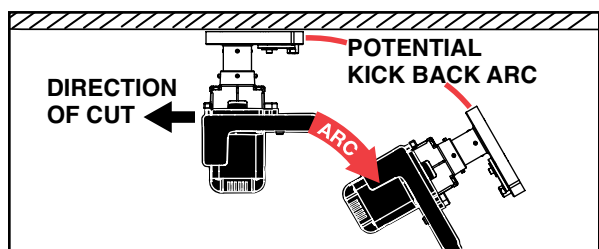
PREVENTING & PREPARING FOR KICKBACK

Saw kickback is a sudden reaction to a pinched, bound, or misaligned saw blade, causing the saw to jump backward towards the user.



Saw kickback is preventable. Cutting straight and forward helps prevent kickback. This prevents the teeth at the back of the blade from grabbing in the top surface of the wood, which causes the saw to jump backward.

Always prepare for saw kickback by keeping both hands on the handles and gripping firmly. Kneel to the side of the saw, keeping hands and knees out of the kickback arc.



BODY POSITIONING

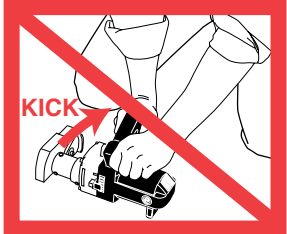
DON'T USE FROM A STANDING POSITION:

This is a floor saw. Don't try to use from a standing position. Brace yourself by kneeling, keeping body weight behind and to the side of the saw. Keep a firm grip.



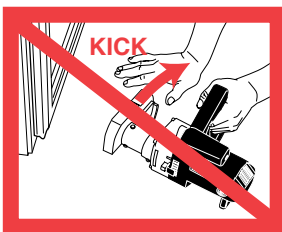
DON'T USE OUTSIDE TOE SPACES:

When used with carbide tipped blades, this tool is designed for use under toe spaces only. Don't use this saw for cutting loose pieces of wood, such as plywood.



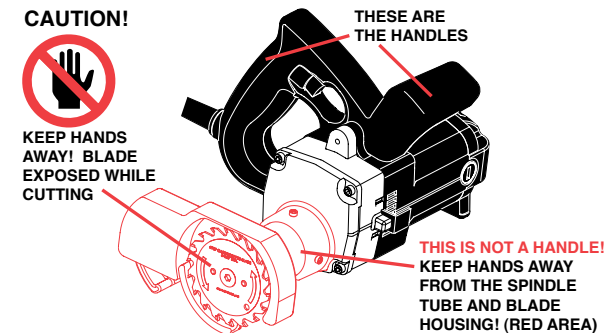
ALLOW MOTOR TO STOP AT THE END OF THE CUT:

At the end of a cut, allow the motor to fully stop before removing the saw from the cut, or removing hands from the handles. Otherwise, if the saw blade is still spinning, the saw can catch and kick back toward the user.



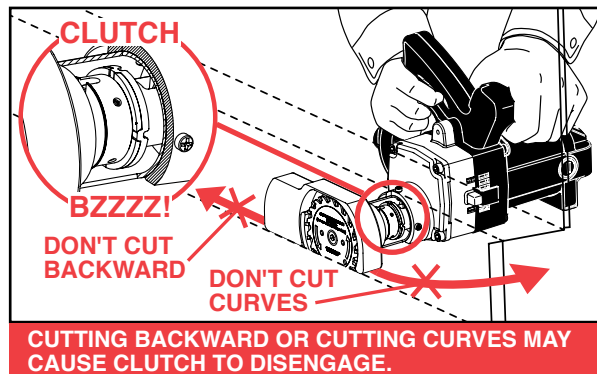
HAND POSITIONING:

Keep hands away from the spindle tube and blade housing (red area). This is not a handle!



KICKBACK REDUCING CLUTCH

This saw has a kickback reducing clutch that helps reduce kickback forces. If the saw is abused by making anything other than straight cuts (curves, angles, etc.), OR by attempting to cut backwards rather than forward, the clutch may disengage. A loud buzzing sound will occur.



If the clutch disengages, immediately release the switch and allow the motor to stop. Remove the saw from the cut and allow the blade guard to extend before restarting the motor and resuming the cut.

The saw's clutch can withstand about 500 disengagements before the saw will no longer transmit sufficient power to the blade for cutting. At such time factory service is required. Don't waste the clutch.

OTHER KICKBACK PRECAUTIONS

In the event of blade binding or any interruption of the cut, release the switch. Hold the saw motionless until the blade stops. While the blade is still turning, if you remove the saw from the cut, or pull the saw backwards, this can cause saw kickback.

Cut slowly, especially when nails may be present. Keep motor RPMs high at all times.

This saw is not for use in general sawing. Cutting loose plywood can bind the blade and cause kickback.

Use only Crain No. 787 or No. 789 blades (see back).

Use new, sharp blades at all times.

This saw plunge starts. Plunge slowly before pushing forward.

GENERAL SAFETY

WEAR SAFETY GEAR:

Always wear safety glasses and ear plugs when using this saw. Use face or dust mask if cutting operation is dusty.

DANGEROUS ENVIRONMENTS:

Keep work area clean; clutter invites accidents. Do not use on damp or wet floors. This saw may throw sparks. Do not use around flammable gasses. Be sure lighting is good.

ACCIDENTAL STARTING:

To avoid accidental starting, do not carry saw with fingers on switch. Do not carry the saw while it is plugged in.

CORD ABUSE AND EXTENSION CORDS:

Never carry saw by the cord or yank the cord to disconnect from an outlet. Keep cords away from heat, oil, and sharp edges. If the cord is cut or damaged, replace immediately.

Avoid using long extension cords, as they will cause some loss of power. To keep the loss to a minimum and prevent saw from overheating, use a heavy-duty extension cord with a minimum wire size based on the length of cord that is needed: 25' = 16 gauge wire, 50' = 14 gauge wire

DOUBLE-INSULATED:

This saw is constructed with two separate layers of electrical insulation. A saw built with this insulation system does not need to be grounded. As a result, this saw comes with a two-prong plug without a ground pole.

BLADE GUARD:

The blade guard attached to your saw is for your safety and protection. If it becomes damaged, do not operate your saw until it has been repaired. Always leave blade guard in operating position when using the saw.

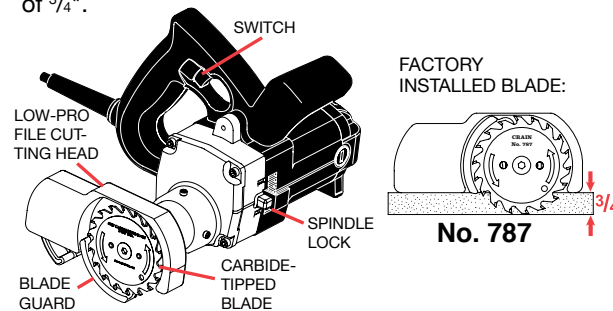
FEATURES OF THE SAW:

This saw is designed for removal of floors or underlayment under toe-spaces. It cuts flush to the wall of the toe space. Please note these features of the saw.

LOW-PROFILE CUTTING HEAD: Will fit under toe-kicks as low as 3" in height.

SPINDLE LOCK: For blade changes, the spindle lock stops the blade rotation, so that the blade can be easily removed. This is NOT to be used as a motor brake!

CARBIDE BLADES & DEPTH OF CUT: The saw comes with a 3 3/8" diameter carbide blade (No. 787) that cuts underlayment up to 3/4" thick. It cuts to a fixed depth of 3/4".



WARNING: Regarding carbide blades, use only Crain No. 787 Carbide-Tipped Blades. The kickback reducing clutch is calibrated to this blade diameter ONLY!

WARNING: Check the depth of the underlayment to be cut. If it is less than 3/4" thick, to prevent subfloor damage, nail down a strip of additional underlayment at least the width of the saw to adjust the cutting depth. Make sure the blade cuts through both underlayment thicknesses. Cutting through a gap can cause binding and kickback.

WARNING: Don't adjust cutting depth by shimming up the saw by affixing shims to any of its parts, or by manually holding the saw at an elevation off the floor.

BLADE CHANGE:

Unplug the saw. Push and hold the spindle lock to stop blade rotation. While holding the spindle lock lever, insert the 3/16" hex wrench (provided) into the blade's socket set screw and turn it counter-clockwise to loosen. Note: For extra leverage, insert an extension tube onto the hex wrench. Replace with new blade and

