

SAFE OPERATING INSTRUCTIONS

The Crain Super Saw is designed for undercutting affixed wooden door jambs, moldings, base, masonry, tile, or stone, to allow new floor coverings to be fit underneath. Do not use this saw for sanding floors, cutting metal, or any other purpose not described in this instruction manual.

HANDLES: In operation, keep both hands on saw at all times.

KICKBACK HAZARDS: While cutting, do not force the saw. Also, keep the housing flat on the floor and the blade parallel to the floor at all times. Angling may cause powerful, dangerous kickback. Keep the saw RPMs high. Using a dull blade will place a heavy load on your saw and increase the danger of kickback. Use only Crain replacement blades.

EYE & EAR PROTECTION: Always wear safety glasses when using a power tool. Wear ear plugs when using this saw.

BLADE GUARD: The blade guard attached to your saw is for your safety and protection. If it becomes damaged, do not operate your saw until it has been repaired. Always leave blade guard in the operating position when using the saw.

DOUBLE-INSULATED: This tool is constructed with two separate layers of electrical insulation. A tool built with this insulation system does not need to be grounded.

DANGEROUS ENVIRONMENTS: Keep work area clean; clutter invites accidents. Do not use the saw on damp or wet floors. Be sure that there is good lighting. This saw may throw sparks. Make certain that flammable materials, especially explosive vapors, are not present. Use face or dust mask if cutting operation is dusty.

ACCIDENTAL STARTING: To avoid accidental starting, do not carry the saw with fingers on the switch.

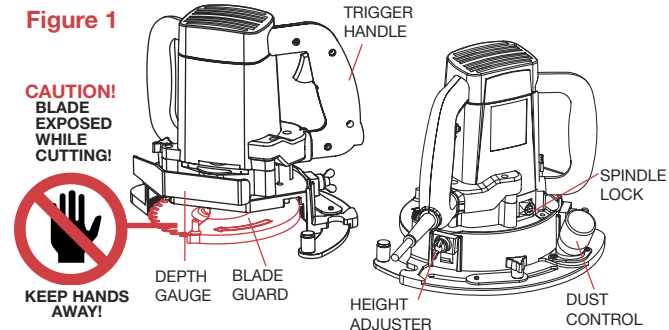
CORD ABUSE: Never carry tools by the cord or yank the cord to disconnect from an outlet. Keep the cord away from heat, oil, and sharp edges.

EXTENSION CORD: To minimize power loss and prevent over-heating, use maximum of 25 feet long and 16 AWG.

HAIR & CLOTHING: Keep all loose hair and clothing away from the spinning blade at all times.

WORKING TERMINOLOGY:

Refer below for the terms used in this instruction manual:



BLADE REMOVAL: see Figure 2

- Turn off and unplug saw.
- Retract the height adjuster so it is flush with the base to allow clearance for wrench.

- Push in the spindle lock button with one hand and insert the Allen® wrench into the blade screw with your other hand; then turn until the spindle engages with the lock button (blade stops rotating).

- Hold onto the plastic housing, then push hard on the Allen® wrench counter-clockwise to open. If the blade is very hard to remove, use a vise-grip to hold the blade.

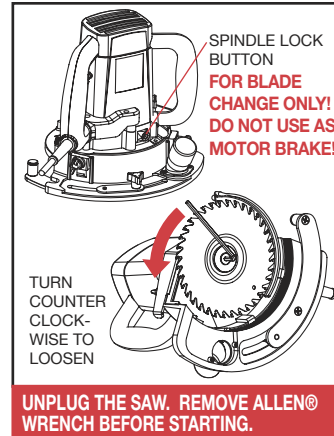


Figure 2

BLADE INSTALLATION: see Figure 3

- Unplug the saw.

- Place the blade spacer over the spindle.

- Place the saw blade on top of the blade spacer.

- Place the blade clamp through the arbor hole of the blade with the bottom slot of the blade clamp properly aligned with the spindle.

- Insert and re-tighten the blade screw. Push in the spindle lock to tighten. Be sure to tighten firmly before use.

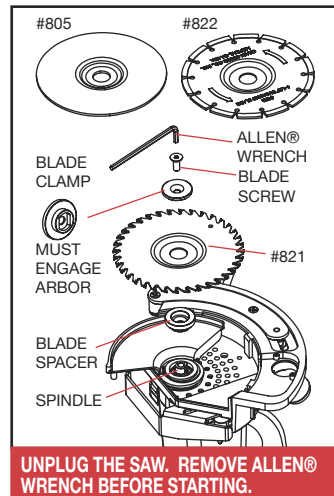


Figure 3

HEIGHT ADJUSTMENT: see Figure 4

- Unplug the saw.

- Loosen the wing nuts on height adjuster 1½ to 2 turns (do not back off the wing nuts more than necessary).

- Adjust the height of your blade by moving the height adjuster up or down until desired height of cut is achieved. The inside

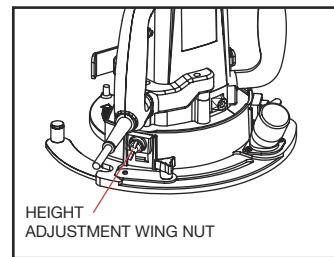


Figure 4

of the height adjuster has 10 reference lines, in increments of 3/32" (.093"), which is the thickness of the blade.

- Use these lines as a guide for adjustment. The housing must be set parallel to the floor. This is critical for safety and straight undercutting. The maximum height adjustment is 1".

- Securely tighten the wing nuts before use.

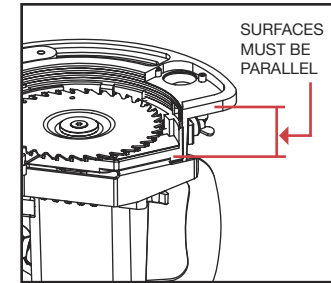


Figure 5

STABILIZER:

- The retractable stabilizer may be extended to prevent the saw from tipping. Extend the stabilizer when undercutting along walls.

- The stabilizer must be retracted when cutting inside corners.

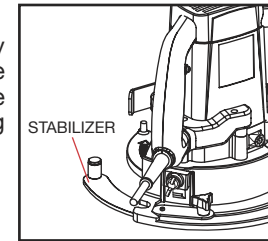


Figure 6

DEPTH ADJUSTMENT:

- The depth adjuster accurately controls depth of cut for straight-on (figure 7) or a 45° angle (figure 8).

- Cutting on a 45° angle captures as much dust as possible inside the housing. When using this saw with a vacuum, this is the most effective way to control dust (see figure 8).

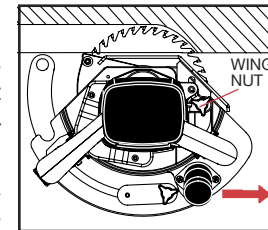


Figure 7

- To adjust the depth gauge, loosen the three-arm knob and move the depth gauge in and out as required.

- Re-tighten the three-arm knob firmly before use.

- We recommend that you set the depth of cut to no more than 1/2" to minimize the chance of hitting wall studs, nails, etc.

- Remove the depth gauge and retract the stabilizer when cutting inside corners (see figure 9).

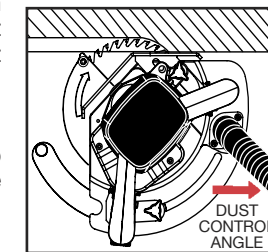


Figure 8

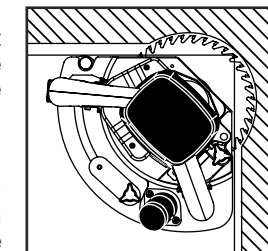


Figure 9

USING THE SAW:

- Make sure the socket head screw holding the blade and height adjuster wing nuts are tightened securely.

- Plug in saw and grasp handles firmly with both hands. Depress the safety lock button, then pull the power switch.

- To start a cut, use the wall to push the blade guard back and expose blade. **DO NOT USE YOUR HAND!**

- First, plunge slowly to appropriate depth. Second, push the saw forward. Move the saw from left to right only. Don't force the saw; let blade cut at highest RPM possible. Do not pull the saw towards you or run in reverse. Do not lift or angle the saw or kickback may result.

- The saw stops automatically when the switch is released.

INSIDE CORNER CUTTING:

- Cut towards the corner at a 45° angle until the saw meets the right wall (see figure 10).

- Stop and unplug saw. Remove depth gauge and retract the stabilizer. Then continue the cut (see figure 11).

- When the saw housing meets both walls, push saw into the corner as shown (see figure 12).

WARNING: Depth gauge covers the blade and makes the saw safer to use. Always unplug the saw and reinstall depth gauge when you are done with inside corner cutting.

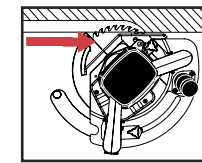


Figure 10

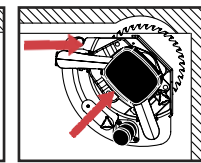


Figure 11

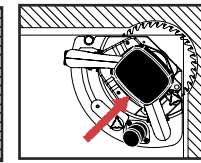


Figure 12

DOOR CUTTING: see Figure 13

- Open the door. Work from the outside of the door inward, toward the hinges. To avoid splintering veneer doors, it may be advisable to score the veneer surface at the desired height of the cut, prior to using the saw. An application of wide masking tape in the cutting zone also helps reduce splintering, and will protect the saw housing from scratching the veneer. **DO NOT MOVE OR LIFT DOOR WHILE CUTTING OR KICKBACK MAY RESULT!**



Figure 13

- With the depth gauge removed, the maximum thickness of cut is 2", which is adequate for most doors. Check for adequate depth of cut before starting. Thicker doors may require cuts from both sides of the door. Take care

DOOR CUTTING, continued:

not to leave a thin remnant of door on the opposite side, which can easily break off and crack the veneer. Also, check that the floor is at the same elevation on both sides of the door, or additional height adjustment may be required.

- The maximum height of cut is one inch. To cut off higher than one inch, place a flat sheet of plywood underneath the saw.

POCKET DOOR CUTTING:

- Take precautions necessary for veneer doors and check door thickness as described above (under "Door Cutting"). Pocket door cutting requires two people. One must hold the saw down and in a fixed position, while the other person slowly pulls the door into the blade. **DO NOT MOVE OR LIFT DOOR WHILE CUTTING OR KICKBACK MAY RESULT!**



Figure 14

- After the pocket door has been fully drawn out, remove any unfinished area at the bottom of the pocket door with a hand saw, following along in the pre-established cut.

MASONRY, STONE, OR TILE UNDERCUTTING:

- The No. 805 Masonry Blade is primarily used for cutting brick. It is not for use on tile or stone. Use the No. 822 Diamond Blade for cutting tile or stone.

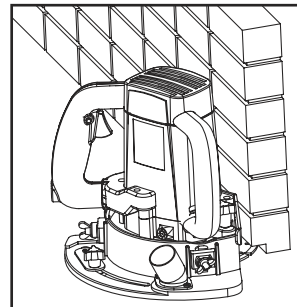


Figure 15

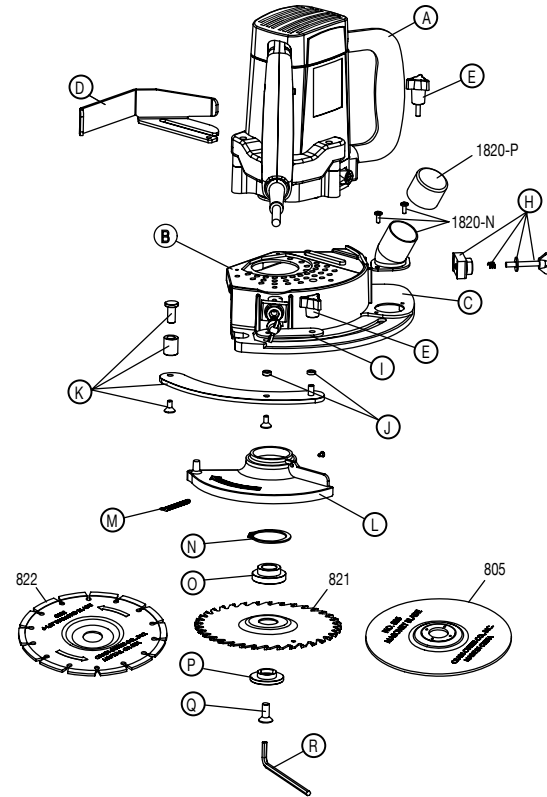
- Masonry, stone, and tile undercutting creates a lot of dust. We strongly recommend the operator wear a dust mask and place a light cloth over the air intake on the motor. This will prolong the life of the saw.

- **DO NOT** use this saw for cutting steel or aluminum. Sparks can cause fire in the wall behind the door casing.

MAINTENANCE:

If saw is dropped, the blade guard may be bent or otherwise damaged, restricting full return. Sawdust that accumulates behind the blade guard will cause it to become clogged, especially drywall dust. Check operation of the blade guard before each use. Do not use saw if the blade guard does not operate properly. When not in use, store saw in the custom carrying case. The saw motor may run even if the switch malfunctions, causing the motor to not switch off. Do not use saw if the switch malfunctions. Repair the switch immediately!

REPLACEMENT PARTS AND ORDERING INFORMATION



Order No.	Description
1812-A	Power Unit, 120 volts
1812-AV	Power Unit, 220 volts
1812-B	Housing
1812-C	Height Adjuster
1812-D	Depth Gauge
1812-E	Three Arm Knob Set (2)
1812-H	Guide Washer Set (8)
1812-I	Stabilizer Retainer and Fastener (2)
1812-J	Bushing Set (2)
1812-K	Stabilizer and Fastener (4)
1812-L	Blade Guard
1812-M	Blade Guard Spring and Fastener (3)
1812-N	Blade Guard Snap Ring
1812-O	Blade Spacer
1812-P	Blade Clamp
1812-Q	Blade Screw
1812-R	Allen® Wrench
1812-S	Carrying Case (not shown)
1812-T	Carrying Case Latch Set (2) (not shown)
1812-U	Switch
1812-V	Power Cord
1812-W	Brushes Set (2)
1820-N	Dust Port w/Screws
1820-P	Dust Port Cap

SPECIFICATIONS:

POWER UNIT

Voltage:
Construction:
Plug Type:
Amperes:
Wattage:
Horsepower:
No Load Speed:
Max Depth of Cut:
Max. Height of Cut:
Gross Weight:
Replacement Blades:

Model No. 812
120VAC, 60 HZ.
Double Insulated
3-Prong Plug
13 Amps
1560 Watts
2.122 HP
4,800 RPM
1 3/4"
1"
14 LBS.
#805 Masonry Blade
#821 Carbide-Tipped Blade
#822 Diamond Blade

Model No. 812V
220VAC, 50HZ
Double Insulated
UK Plug
6.5 Amps
1560 Watts
2.122 HP
4,800 RPM
1 3/4"
1"
14 LBS.
(same for 812V)
(same for 812V)
(same for 812V)

WARNING:

Some dust created by power sanding, sawing, grinding, drilling, and other construction activities contains chemicals known to the State of California to cause cancer, birth defects or other reproductive harm. Some examples of these chemicals are:

- lead from lead-based paints,
- crystalline silica from brick, cement and other masonry product, and
- arsenic and chromium from chemically-treated lumber.

Your risk from these exposures varies, depending on how often you do this type of work. To reduce your exposure to these chemicals: work in a well-ventilated area, and work with approved safety equipment, such as those dust masks that are specially designed to filter out microscopic particles.

GUARANTEE

This Crain No. 812/812V Super Saw is guaranteed to be free of defects in workmanship and quality of materials for a period of one year.

Any parts of this saw found defective subject to the guarantee will be replaced at no charge. Credit in full or part cannot be extended by the distributor, nor will a new saw be given as a replacement or loaner.

Saws subject to this warranty must be accompanied by same, returned freight PREPAID to Milpitas, CA, and must be in assembled condition.

DATE OF MFG. _____

CRAIN CUTTER CO., INC.

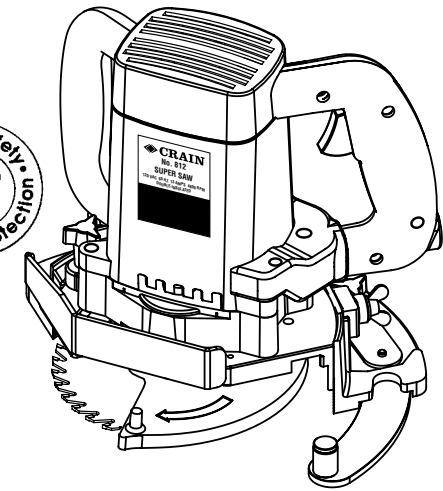
Milpitas, CA 95035 TEL: (408) 946-6100

www.craintools.com

Printed by: HF

FORM F1812-5/2007

INSTRUCTION MANUAL



CRAIN

No. 812/812V SUPER SAW

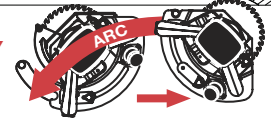
⚠ WARNINGS:

KICKBACK HAZARDS:

- **THIS SAW PLUNGE-STARTS. PLUNGE SLOWLY BEFORE PUSHING FORWARD!**
- **KEEP RPMS HIGH. DON'T FORCE THE SAW, ESPECIALLY WHEN NAILS MAY BE PRESENT. DO NOT OVERHEAT.**
- **HEIGHT ADJUSTMENT: KEEP THE BLADE HOUSING FLAT ON LEVEL FLOORS, AND KEEP BLADE PARALLEL TO THE FLOOR AT ALL TIMES.**
- **ALWAYS PUSH SAW AGAINST BLADE ROTATION. NEVER PULL TOWARDS YOU OR RUN IN REVERSE.**

SAFE OPERATING POSITION:
KEEP KNEES AND OTHER BODY
PARTS OUT OF KICK BACK ARC.

**KNEEL TO THE SIDE!
DO NOT USE STANDING UP!**



CUTTING DIRECTION