

Towable Aerator

Operation & Parts Manual

Models:
TA12 (48")
TA10 (36")

ASSEMBLY

Congratulations! You have just purchased the BlueBird Towable Aerator - a precision-engineered product designed to provide maximum aeration performance and flexibility. Only a few simple steps are required to fully assemble the aerator. Please read these instructions before beginning assembly. Assembly by two people is recommended. If you have questions, please contact your BlueBird dealer or distributor.

TOOLS REQUIRED:

2 each 3/4" wrenches
 1 each 9/16" deep-well socket
 1 each 9/16" wrench
 2 each 1/2" wrenches

PARTS INCLUDED:

Bolts: 1 each 5/16-18 x 3
 4 each 3/8-16 x 1, Gr. 5
 1 each 1/2-13 x 3 1/2, Gr. 5
 1 each 3/8-16 x 1 3/4, Gr. 5
 2 each 5/16-18 x 1, carriage

Nuts: 3 each 5/16-18, nyloc
 1 each 1/2-13, nyloc
 5 each 3/8-16, nyloc

Bushing: 5/8" x 9/16"

Washers: 2 each 1/2", flat
 6 each 3/8", flat
 2 each 5/16", flat

Tow bar (1)

Jack (1)

Tie bar (2) (used only on the TA12, 48" model)

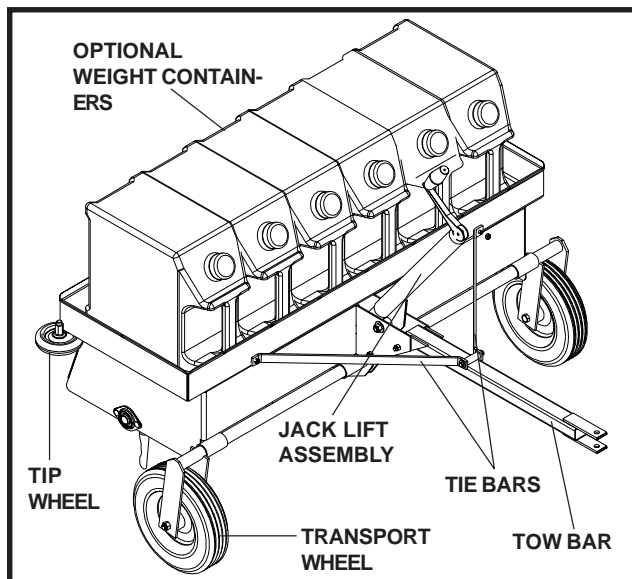


FIGURE 1

1. Check to see that all bolts, washers and nuts are included in the plastic bag. Check for any signs of damage that may have occurred during shipment.

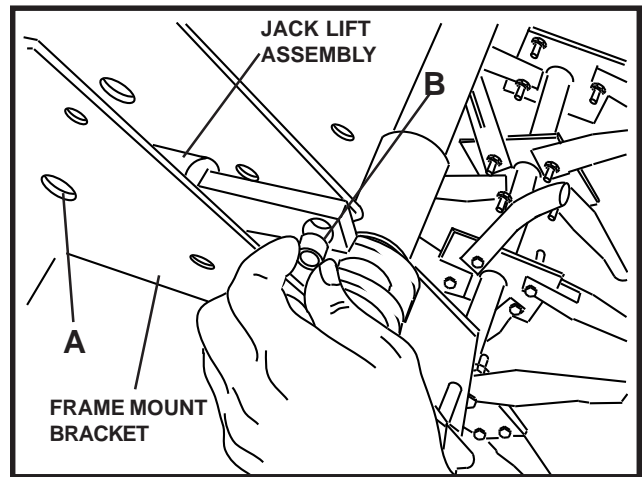


FIGURE 2

2. Tip aerator onto its back edge and install jack lift assembly. Install 5/8" x 9/16" bushing in hole "B" near end of the jack assembly before inserting into frame mount. Slide lift jack assembly between the two frame mount brackets and align frame mount hole "A" with lift assembly hole. See Figure 2.

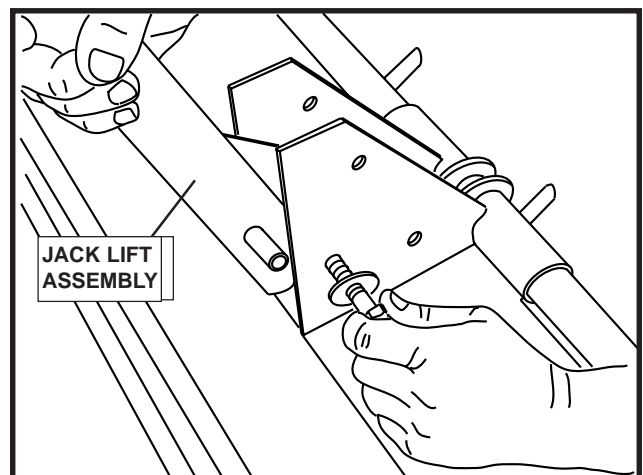


FIGURE 3

3. Install 1/2" x 3" bolt and washer through frame mount and jack assembly. Add 1/2" lock nut with washer and tighten. See Figure 3.

ASSEMBLY

- Align jack lift assembly hole "B" with clearance holes in frame and attach jack assembly to bracket on axle using 3/8" x 1 1/2" bolt and 3/8" washers and lock nut. See Figure 4.

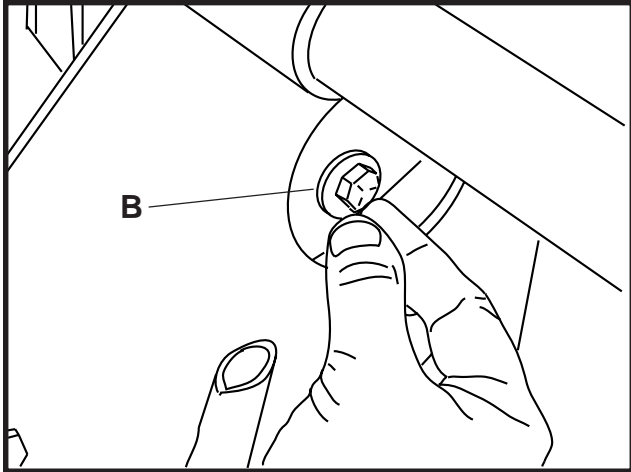


FIGURE 4

- Tighten the 1/2" bolt and 3/8" bolt securely. The 3/8" bolt will require the use of a 9/16" deep-well socket wrench to tighten.
- Install tow bar by sliding bracket into frame mount and aligning holes. See Figure 5.

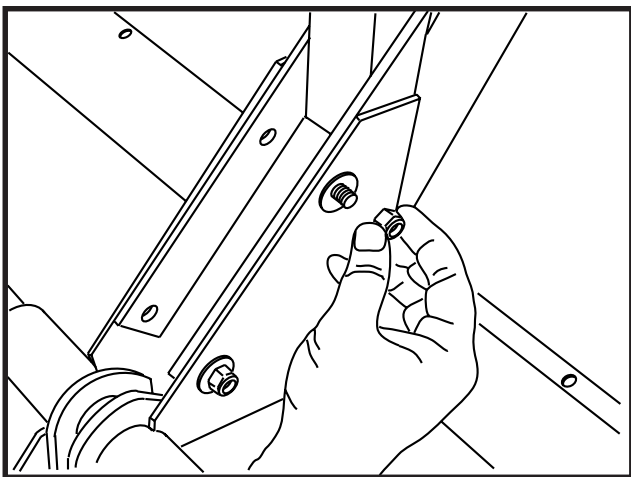


FIGURE 5

- Insert four 3/8" x 1" bolts, four washers placed on outside of frame and four 3/8" lock nuts. Tighten securely with socket wrench. See Figure 5.

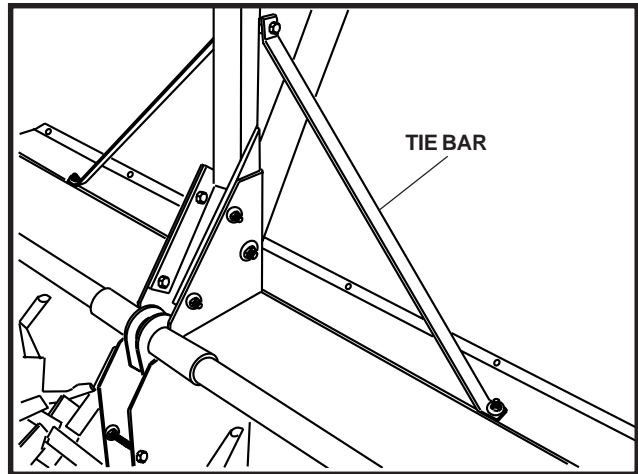


FIGURE 6

- Attach the tie bars to the aerator bed and to the tow bar as seen in Figure 6. (48" model only.)

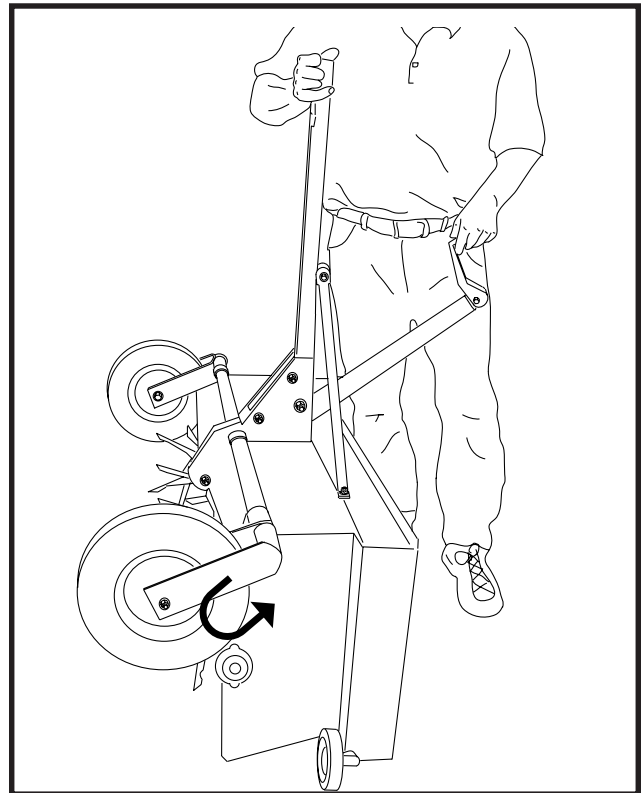


FIGURE 7

- Test the operation of jack lift assembly by raising transport wheels to highest position prior to tipping aerator into operating position. Lower transport wheels fully before tipping aerator.

ASSEMBLY



CAUTION!

The wheels should be fully extended or fully retracted. **NEVER** operate with wheels partially retracted, damage to the jack could result.

9. Add a small amount of oil to the lift jack. See Figure 8. Oil should be added after every 25 hours of operation and after washing unit.

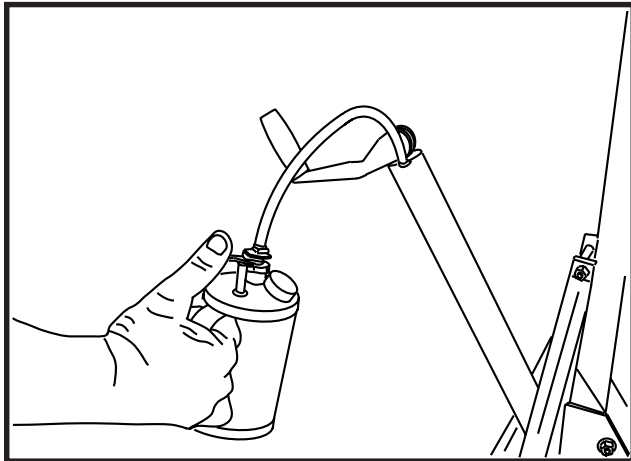


FIGURE 8

10. Before removing aerator from tractor and storing, lower the kick stand (48" model only).

NOTE: Park unit on a hard flat surface before lowering kick stand.

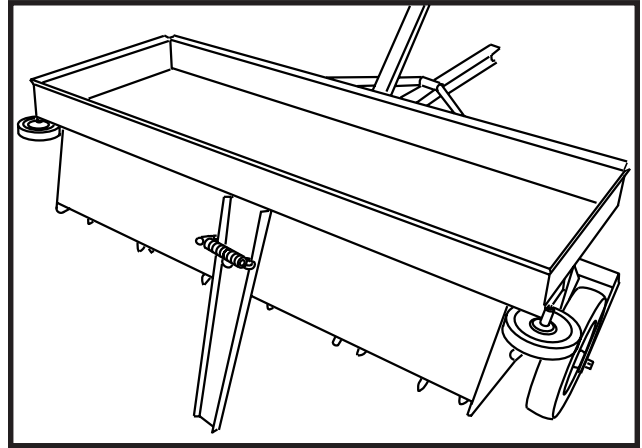


FIGURE 9



WARNING!

Failure to lower kickstand before detaching unit from tractor may cause unit to tip backwards quickly, causing personal injury (48" unit only).



CAUTION!

Always raise the kickstand before towing the unit. Towing with kickstand down will damage the unit (48" unit only).

OPERATION

When replacing worn or damaged tines, use included washers and torque to 15 ft./lbs.

Weights may be added into pan to increase depth of ground penetration up to the limits shown in the specification section. Secure weights into the pan if used on rough ground or on angled surface.

Remove weights from pan before unhooking aerator from tractor.

SPECIFICATIONS

36" MODEL:

Maximum weight in pan - 300 lbs.

Empty weight: 190 lbs.

Minimum horsepower of towing vehicle - 16 H.P.

Check tine bolts - every 25 hours. (Torque to 15 ft/lbs.)

Lubricate wheels - every 100 hours.

Lubricate lift jack - every 25 hours.

Aerating pattern: 4 3/8" x 7"

48" MODEL:

Maximum weight in pan - 375 lbs.

Empty weight: 222 lbs.

Minimum horsepower of towing vehicle - 18 H.P.

Check tine bolts - every 25 hours. (Torque to 15 ft/lbs.)

Lubricate wheels - every 100 hours.

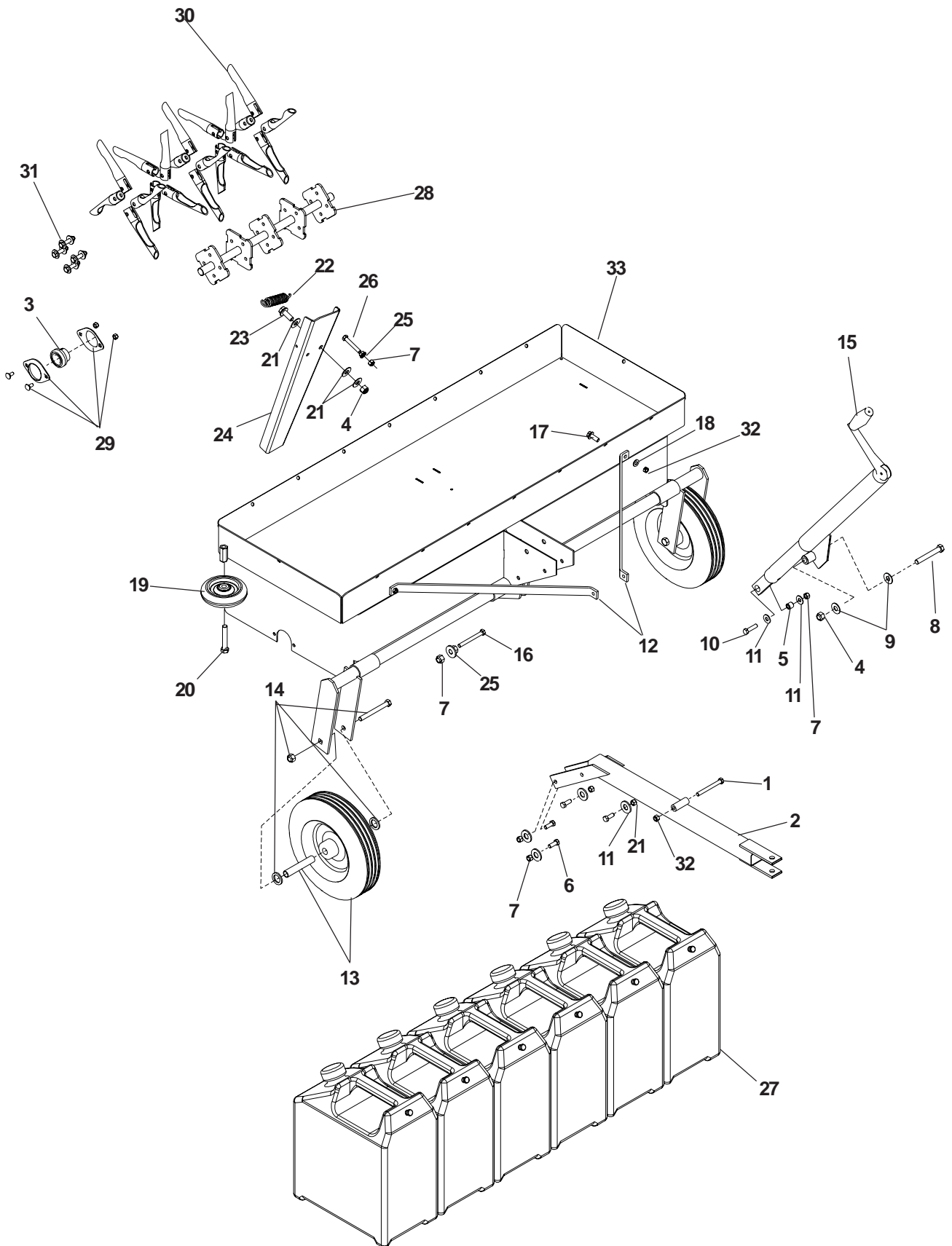
Lubricate lift jack - every 25 hours.

Width: 58 1/2"

Length: 56 1/3"

Aerating pattern: 4 3/4" x 7"

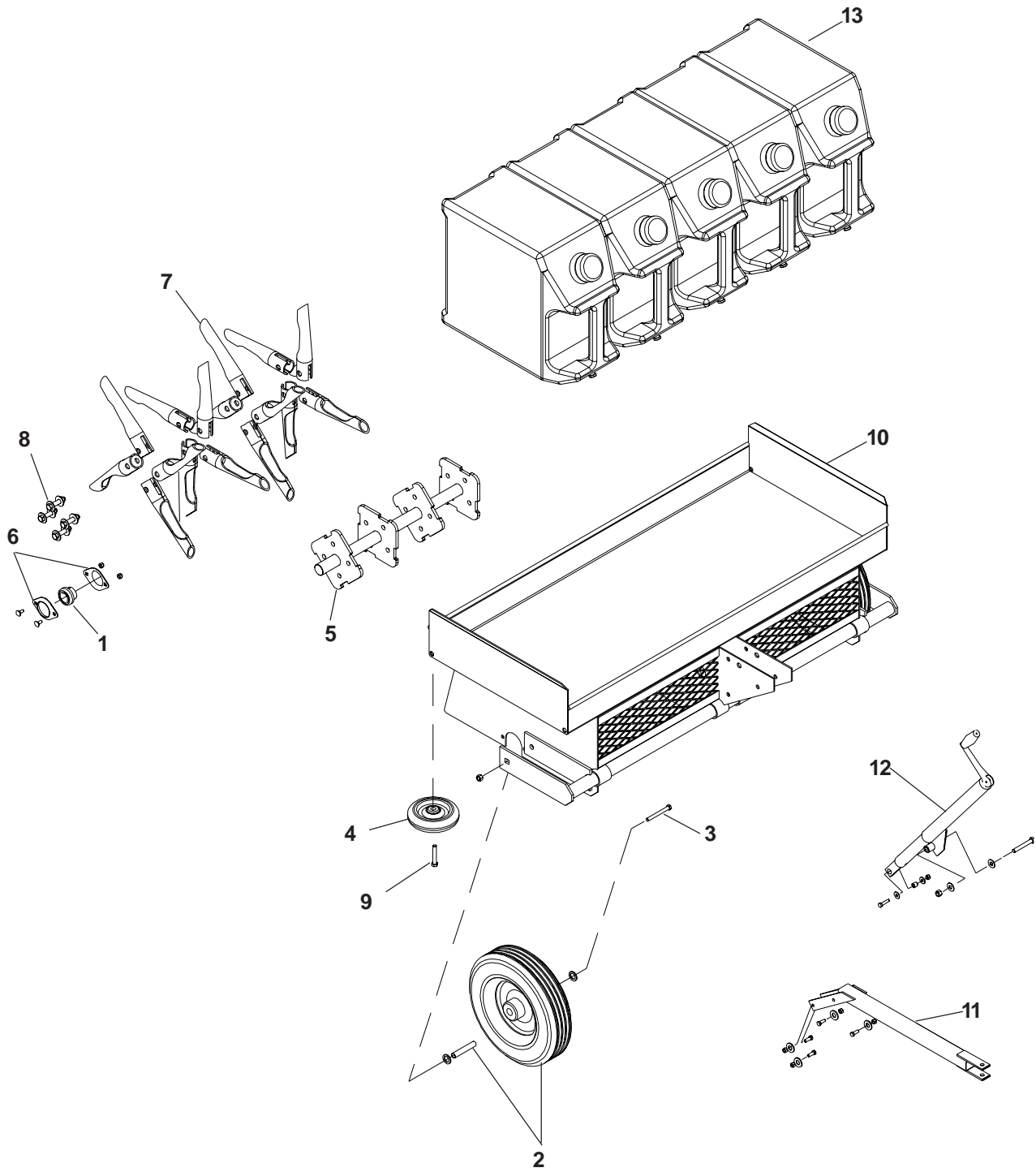
TA12 (48")



TA12 (48")

ITEM	PART NO.	QTY.	DESCRIPTION
1	990553	1	HCS 5/16-18 X 3, GR5
2	108428	1	TONGUE
3	0317	4	BEARING W/LOCKING COLLAR
4	101331	4	NUT, 1/2-13, NYLOC
5	7101	1	AXLE PIVOT BUSHING
6	990563	4	HCS 3/8-16 X 1 GR5
7	976979	7	NUT, 3/8-16, NYLOC
8	108370	1	HCS 1/2-13 X 3 1/2, GR5
9	990550	2	WASHER, 1/2
10	990730	1	HCS 3/8-16 X 1 3/4, GR5
11	990517	6	WASHER, 3/8
12	109175	2	TIE BAR
13	7562	2	WHEEL, 12" X 3" W/ROLLER BEARING
14	7566	2	BOLT KIT FOR WHEEL
15	108422	1	JACK
16	102754	1	HCS 3/8-16 X 3 1/2, GR8
17	990208	2	RHSNB 5/16-18 X 1
18	990692	2	WASHER, 5/16
19	7563	2	TILT WHEEL
20	101572	2	HBS 1/2-13 X 3, GR5
21	104864	3	WASHER, 7/16
22	106850	1	SPRING
23	990622	1	FLANGE HEAD BOLT, 1/2-13 X 1 1/4
24	108727	1	KICKSTAND
25	990613	2	NUT, 3/8-16, WHIZLOCK, GR5
26	990629	1	HCS 3/8-16 X 2 1/4, GR5
27	109297	1	WATER TANKS (SET OF 6)
28	109296	2	ROTOR
29	5786	4	STAMPING KIT, FOR 1" BEARING
30	109294	2	TINE SET (20 TINES)
31	109295	2	FASTENER KIT, ONE ROTOR
32	990717	3	NUT, 5/16-18, NYLOC
33	108417	1	FRAME
	108413	1	DECAL, TA12 AERATOR (NOT SHOWN)
	108429	2	DECAL, INSTRUCTIONS (NOT SHOWN)
	8338	2	DECAL, LOGO 15" (NOT SHOWN)

TA10 (36")



TA10 (36")

ITEM	PART NO.	QTY.	DESCRIPTION
1	0317	4	BEARING W/COLLAR
2	7562	2	WHEEL, 12" X 3" W/ROLLER BEARING
3	7566	2	BOLT KIT FOR 12" WHEELS
4	7563	2	TILT WHEEL
5	7575	2	ROTOR
6	5786	4	STAMPING KIT, FOR 1" BEARING
7	7571	2	TINE SET (16 PER ROTOR)
8	7574	2	FASTENER KIT, CORING TINE SET
9	101572	2	SCREW, 1/2-13 X 3
10	7550	1	CHASSIS WELDMENT
11	7552	1	TOW BAR W/ BOLT KIT
12	7553	1	JACK W/ BOLT KIT
	7555	1	DECAL KIT (NOT SHOWN)
13	7510	1	WATER TANKS (SET OF 5)



P.O. Box 8
Beatrice, Nebraska 68310