



Operators Manual

Models:

PR18B5FA	PR22B8NRA
PR18B5NRA	PR22GH5NRA
PR18GH5NRA	PR22H5FA
PR18H5DA	PR22H5NRA
PR18H5FA	PR22NEFA
PR18H5NRA	PR22B5FBA
PR18NEFA	PR22H5FBA
PR22B5FA	S22B5DA
PR22B5NRA	S22H5DA
PR22B8FA	

TABLE OF CONTENTS

Operating Instructions for Lawn Dethatcher with supplement for accessories

Introduction	3	Operation	16
Congratulations	3	Before you start	16
Use	3	Starting	16
Insure your machine	3	Finishing	16
Good service	3	Maintenance	17
Serial number	3	Maintenance schedule	17
Symbols and decals	4	Cutting unit	18
Decals and machine-bound instructions ...	4	Two minute rule	22
Location of decals	5	Cleaning and washing	22
Translation of instructions	6	Lubrication	23
Safety instructions	7	Lubrication schedule	23
General use	7	General	23
Preparations	8	Blades	24
Operating	9	Handle	24
Movement/Transport	9	Troubleshooting	25
Storage	9	Storage	26
Children	10	Winter storage	26
Fuel system	10	Service	26
Maintenance	11	Assembly instructions	27
Presentation	12	Assembly – delivery service	27
Presentation	12	Assembly directions, catcher bag PR22	28
Controls	13	Assembly directions, seed hopper PR22	33
Main components and operating instruments	13	Service journal	37
Engine	14		
Cutting unit	14		
Blade versatility	15		
Setting blade height	15		

INTRODUCTION

Congratulations

Thank you for purchasing a BlueBird lawn care product. Through your confidence in us, you have chosen an exceptionally high quality product.

This manual is a valuable document. It describes your new BlueBird machine. Read the manual carefully before attempting to use the machine. Following the instructions (use, service, maintenance, etc.) can considerably increase the lifespan of your machine and even increase its resale value. Please contact your dealer for more information.

If you sell your BlueBird machine, make sure to give the operator's manual to the new owner.

Use

The dethatcher is used to remove the layer of thatch and surface-treat lawns, i.e. power-raking, de-mossing and collecting thatch in the form of old grass or moss. With an attachment, it can also be used for seeding, both in initial sowing or overseeding.

Insure your machine

Contact your insurance company to check on insurance coverage for your new machine. You should have all-inclusive insurance for liability, fire, damage and theft.

Good service

Before the machine was delivered it underwent inspection and was adjusted by your dealer. When you need spare parts or support in service questions, warranty issues, etc., please consult the following professional:

This Operator's Manual belongs to machine with serial number:	Engine number:

Serial number

The machine's serial number can be found on the printed plate attached to the rear side panel of the machine. The plate includes the following information:

- The machine's type designation (MODEL).
- The machine's serial number (S/N).

Please state the type designation and serial number when ordering spare parts.

The engine's serial number is printed on the engine.

The engine type is specified on the crankcase under the air filter but also appears on the decal on the starter.

Please state engine serial number and type when ordering replacement engine parts.

SYMBOLS AND DECALS

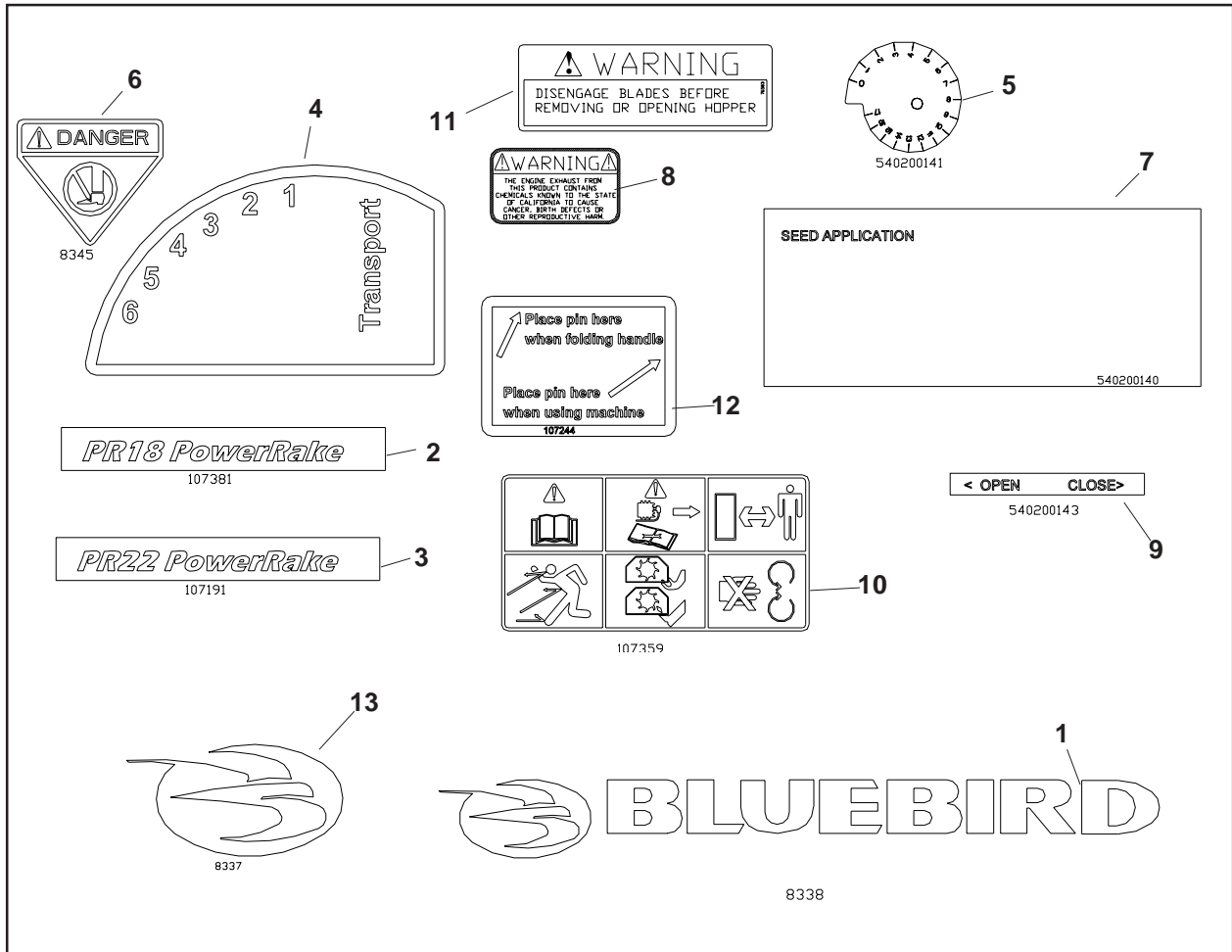


Used in this publication to notify the reader of a risk of **personal injury**, particularly if the reader **DOES NOT** follow the instructions given in the manual.



Used in this publication to notify the reader of a risk of **material damage**, particularly if the reader **DOES NOT** follow the instructions given in the manual. Used also when there is a potential for misuse or misassembly.

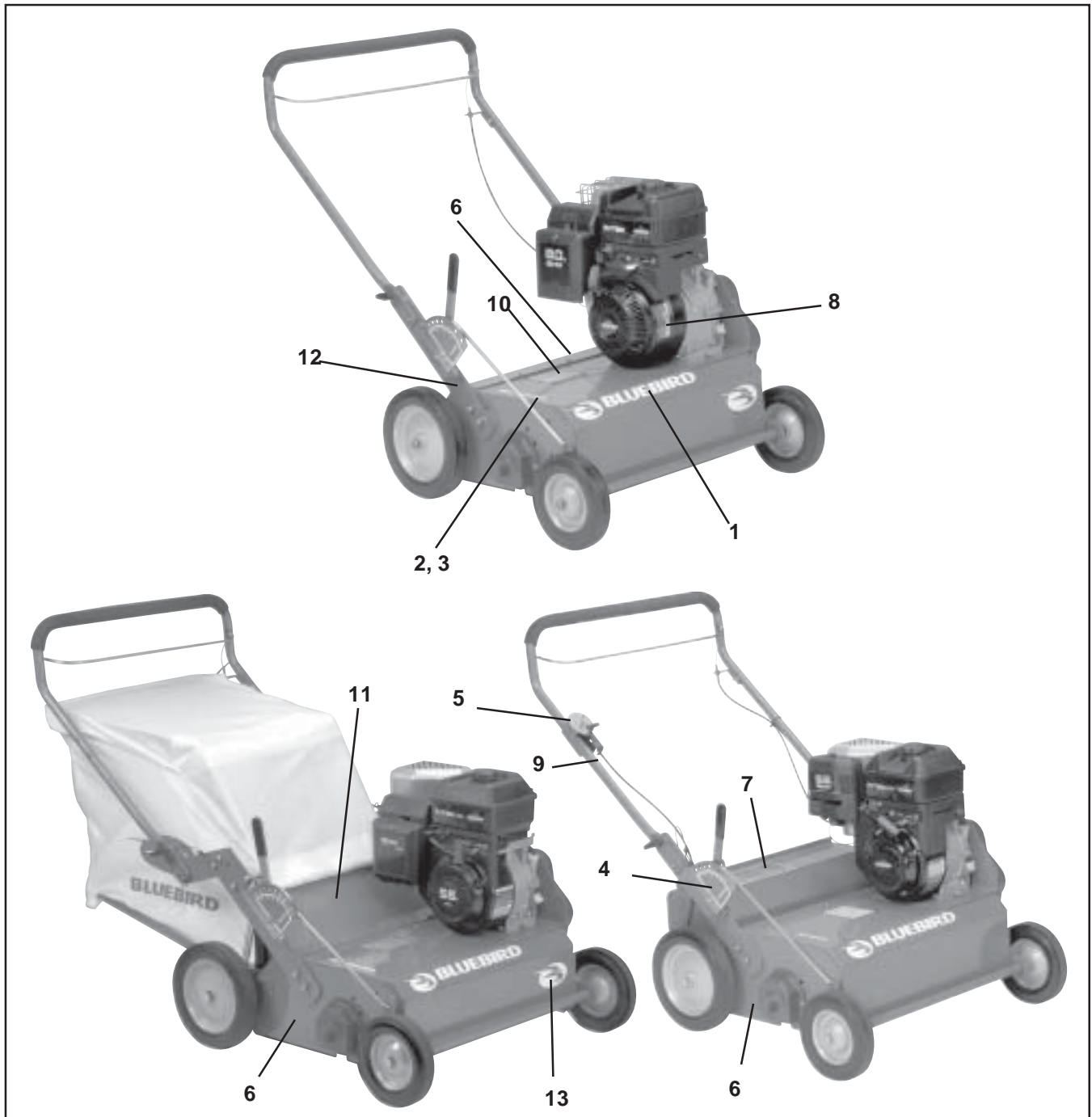
Decals and machine-bound instructions



1. BlueBird logo
2. Model designation PR18
3. Model designation PR22
4. Height setting
5. Seeder Dial
6. DANGER watch your feet
7. Seed application chart
8. Warning for carbon monoxide
9. Open/Close (Seedbox)
10. Caution graphics
11. Warning for bagger
12. Handle folding instructions
13. BlueBird logo

SYMBOLS AND DECALS

Location of decals



- | | |
|---------------------------|---------------------------------|
| 1. BlueBird logo | 8. Warning for carbon monoxide |
| 2. Model designation PR18 | 9. Open/Close (Seedbox) |
| 3. Model designation PR22 | 10. Caution graphics |
| 4. Height setting | 11. Warning for bagger |
| 5. Seeder Dial | 12. Handle folding instructions |
| 6. DANGER watch your feet | 13. BlueBird logo |
| 7. Seed application chart | |

SYMBOLS AND DECALS

Translation of instructions

Decal 7

Seed application chart

Values are approximate; quantities of seed depend on the speed at which the machine is run. Faster running speed results in sparser sowing.

Preparing the lawn

- Cut the grass to approximately 1-1.5 cm (1/2") lower than you normally would.
- Do not water before sowing.
- Remove the layer of old grass cuttings (thatch).
- Aerate the lawn with a ground aerator of the coring type.
- Fertilize the lawn.

Seed application recommendations

- For best results, sow in two directions with a 45° angle between.
- Water generously immediately afterward and continue watering moderately for 10–14 days to keep the soil moist.
- After germination, water sporadically to encourage root growth.

Decal 8

Warning

Engine exhaust, some of its constituents and certain vehicle components contain or emit chemicals considered by the State of California to cause cancer, birth defects or other reproductive harm. The engine emits carbon monoxide, which is a colorless, poisonous gas. Do not use the machine in enclosed spaces.

Decal 10

Important information

Read and make sure you understand the Operator's Manual before use or maintenance.

To obtain a replacement manual, please contact your dealer.

Observe all safety instructions; otherwise you may injure yourself or others around you.

Make sure that the machine is in serviceable condition prior to use.

Make sure that all protective devices are in place when the machine is in use.

Stop the engine and wait until all machine movement comes to a standstill before service, adjustment or cleaning.

Do not run the engine in poorly ventilated spaces.

Make sure nobody is in the vicinity of the machine before starting and during use.

Avoid slopes that are too steep to use the machine safely.

Clear any debris from the lawn prior to use.

SAFETY INSTRUCTIONS

General use

The object of this manual is to help you use your BlueBird machine safely and to give you information about how to maintain your machine. Please read the manual carefully before attempting to use the machine.

If after reading the operator's manual you are still unsure about the safety risks associated with use of the machine, you should not use the machine. Please contact your dealer for more information.

These safety instructions only address the basics for safe use. It would be impossible in the safety instructions to describe all possible risk situations that could arise when using the machine. You can, however, prevent accidents by always using common sense.

To obtain extra copies of the operator's manual, please contact your dealer.

IMPORTANT INFORMATION

Do not use the machine until you have read the operator's manual carefully and understand the instructions given. All maintenance work or adjustments not described in this manual must be performed by an authorized BlueBird service workshop.

- Read this manual carefully and make sure you understand it before using the machine or performing any maintenance. If the user cannot read this manual, it is the responsibility of the machine owner to explain the contents to the user.
- Follow all safety instructions. Failure to do so may result in injury to yourself or others.
- Accident prevention regulations, other general safety regulations, occupational safety rules and traffic regulations must be followed without fail.
- All users shall be trained in use of the machine. The owner is responsible for training users.
- Engage an authorized BlueBird workshop for all service and repairs not described in this manual.



WARNING!

Under no circumstances may the original design of the machine be modified without written approval from the manufacturer. Such modifications not only affect the performance and durability of the machine but may even pose a safety risk for users and those in the vicinity. Unauthorized modifications to the design of the machine may absolve the manufacturer from liability for any resulting personal injury or property damage. Modifying the machine without written approval from the manufacturer may void the guarantee.

- BlueBird original spare parts are designed and specified to maintain high quality and correct fit for optimal durability and lifespan. From a safety point of view, you should only use BlueBird original spare parts.
- Check that all safety decals are in place. See the chapter "Symbols and Decals".
- Learn how to use the machine and its controls safely and learn to recognize the safety decals.
- Only use the machine for sowing and dethatching lawns. It is not intended for any other use.
- Check that the machine is in serviceable condition prior to use; see the chapter "Maintenance/Maintenance schedule".
- Only use the machine in daylight or in other well-lit conditions. Keep the machine a safe distance from holes or other irregularities in the ground. Pay attention to other possible risks.
- Only allow the machine to be used by adults who are familiar with its use.

SAFETY INSTRUCTIONS

- Never allow children or persons not trained in the use of the machine to use or service it. Local laws may regulate the age of the user.
- People and animals can distract you causing you to lose control of the machine. For this reason, you should always concentrate and focus on the task at hand.
- Never leave the machine unsupervised with the engine running.
- Make sure that other people are nearby when you are using the machine so that you can call for help should an emergency arise.
- The machine is tested and approved only with the equipment originally provided or recommended by the manufacturer.



WARNING!

The engine can become very hot. To avoid being burned, you must turn off the engine and wait until all parts have cooled before touching the engine.



WARNING!

Overexposure to vibration may lead to circulatory or nerve damage, particularly in people who have impaired circulation. Contact your doctor if you experience symptoms that could have been caused by overexposure to vibration. Examples of common symptoms include numbness, pain, muscle weakness, change of skin color or an uncomfortable feeling of tingling. These symptoms appear most frequently in the fingers, hands or wrists.



WARNING!

Always use approved protective clothing and approved protective equipment when using the machine. Protective clothing and protective equipment cannot eliminate the risk of accidents, but wearing proper clothing and the correct equipment will reduce the degree of injury should an accident occur. Ask your dealer about approved protective clothing and approved protective equipment recommended by BlueBird.

Preparations

- Make sure that you always have first aid equipment at hand when using the machine.
- Make sure nobody else is in the vicinity of the machine when you start the engine, engage the drive or run the machine.
- Make sure animals and people maintain a safe distance from the machine.
- Clear the area of objects such as stones, toys, steel wire, etc. that could become caught in moving machine parts and thrown out.
- Find and locate all fixed objects in the ground, such as sprinkler systems, poles, water valves, bases for washing lines, etc. Be certain to check for hidden electrical cables or similar in the surface of the lawn. Always run the machine around these objects. Never intentionally run the machine over foreign objects.
- Make sure all guard plates and protective shields are in place and intact when using the machine.
- Make sure no clothing, long hair or jewelry can catch in moving machine parts.
- Never use the machine when barefoot. Always wear protective shoes or protective boots with anti-slip and preferably with steel toes.
- Wear approved ear-protection when running the machine. Ask your dealer about approved ear-protection.

SAFETY INSTRUCTIONS

Operating

- Do **not** use the machine on grades of more than 20°. We recommend working across slopes rather than up and down. This will yield a more even result. Do **not** leave the machine standing on a slope unattended.
- Do **not** use the machine if you are tired, if you have consumed alcohol, or if you are taking other drugs or medication that can affect your vision, judgment or co-ordination.
- Never use the machine indoors or in spaces lacking proper ventilation.
- Do not use the machine on any surface other than grass.
- Make sure you have a proper foothold when using the machine, particularly when backing. Walk, don't run. Never work on wet grass. Poor traction may cause you to slip.
- Keep your hands and feet away from moving parts.
- Keep your hands and feet away from the work tools.
- Slow down and be especially careful on slopes. Make sure to run the machine in the recommended direction on slopes. Be careful when working close to sudden changes in level.
- Smoking, open flames or sparks in the vicinity of the machine are **strictly** forbidden. Gasoline is extremely flammable and carelessness in handling can result in personal injury or fire.
- Stop and inspect the equipment if you run over or into anything. If necessary, make repairs before beginning again.
- Whatever happens, you should always park the machine on even ground, disengage the drive, turn off the engine and wait until all moving parts have stopped before leaving the operating position behind the machine.



WARNING!

Engine exhaust, some of its constituents and certain vehicle components contain or emit chemicals considered to cause cancer, birth defects or other reproductive harm. The engine emits carbon monoxide, which is a colorless, poisonous gas. Do not use the machine in enclosed spaces.

Movement/Transport

- To turn and steer the machine, press down on the handle and turn on the back wheels.
- Turn off the engine and allow it to cool at least 2 minutes before transport.
- Collapse the handle if the machine is equipped with a collapsible handle.
- Be careful and use safe lifting and moving techniques when loading/unloading the machine.
- We recommend having two people to lift the machine.
- Fasten the machine properly in place with approved fasteners, such as tension belts, chains or rope. Always check that you are in compliance with applicable traffic regulations before transporting the machine.

Storage

- Allow the engine to cool before storing the machine. Never store the machine near a open flame.
- Store the machine with the fuel valve closed.
- Store the machine and fuel in such a way that there is no risk that leaking fuel or fumes can come in contact with flames or sparks from electrical machines, electric engines, relays, switches, boilers or similar.
- Store the machine in a locked space away from children and adults untrained in use of the machine.

SAFETY INSTRUCTIONS

Children

Serious accidents can occur if you fail to be on guard for children in the vicinity of the machine. Never assume that children will stay put where you last saw them.

- Keep children away from the machine.
- Keep children away from the work area and under close supervision by another adult.
- Keep an eye out and shut off the machine if children enter the work area.
- Never allow children to operate the machine.
- Be particularly careful near corners, bushes, trees or other objects that block your view.

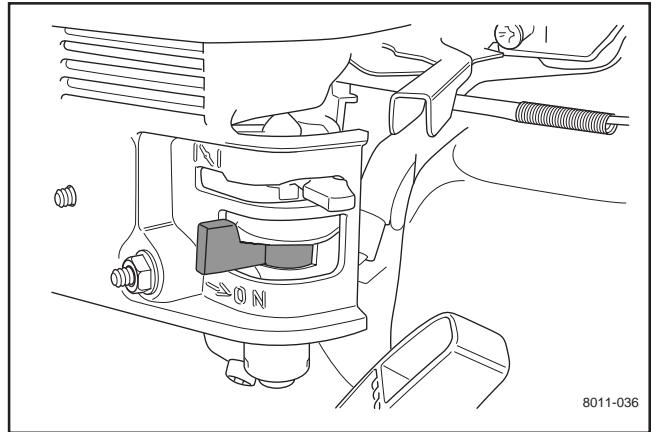
Fuel system



WARNING!

Gasoline and gasoline fumes are poisonous and extremely flammable. Be especially careful when handling gasoline, as carelessness can result in personal injury or fire.

- Only store fuel in containers approved for that purpose.
- Never remove the fuel cap and fill the fuel tank when the engine is running.
- Always stop the engine when refueling.
- Do not smoke when filling the gasoline tank and do not pour gasoline in the vicinity of sparks or open flame.
- Never fill the fuel tank indoors.
- Before starting the machine after refueling, it should be moved at least 10 feet (3 M) from the location where it was filled.
- Turn off the fuel supply for storage or transport.
- If leaks arise in the fuel system, the engine must not be started until the problem has been resolved.



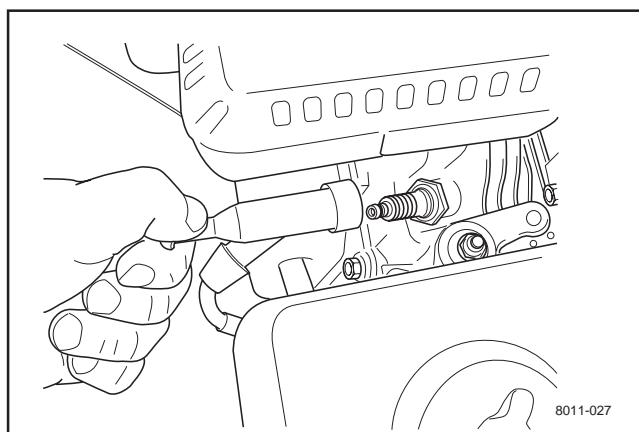
Close the fuel valve.

- Check the fuel level before each use and leave space for the fuel to expand, because the heat from the engine and the sun can otherwise cause the fuel to expand and overflow.
- Avoid overfilling. If you spill gasoline on the machine, wipe up the spill and wait until it has evaporated before starting the engine. If you spill gasoline on your clothing, change your clothing.

SAFETY INSTRUCTIONS

Maintenance

- Never make adjustments with the engine running.
- Disengage the drive units, shut off the engine and wait until all moving parts come to a complete stop before making adjustments, performing maintenance or cleaning the machine.
- Disconnect the spark plug cable before beginning repair work.
- Keep all components in serviceable condition and make sure all nuts, bolts, etc. are tight. Replace worn or damaged decals.
- Be careful when checking work tools. Use gloves when performing maintenance work.
- Never allow persons not trained in the use of the machine to perform service on it.
- Always park the machine on even ground before performing maintenance or making adjustments.
- Do not disassemble the engine. This can invalidate your engine warranty. Contact your dealer if you have any questions regarding service or guarantee matters. Follow all maintenance instructions.
- Do not change the setting of governors and avoid running the engine with overly high RPM. If you run the engine too fast, you risk damaging the machine components.
- Do not modify safety equipment. Check regularly to be sure it works properly. The machine must not be run with defective or disassembled safety equipment.
- The muffler is designed to maintain sound levels at an approved level and keep direct exhaust away from the user. Exhaust gases from the engine are extremely hot and may contain sparks that can cause fires or burn the user.
- Never use a machine with a defective muffler.
- Reduce the risk of fire by removing grass, leaves and other debris that may have caught in the machine.



Disconnect the spark plug cable before repair work.



WARNING!

Wait until all moving parts are completely still before performing maintenance on the machine.

Turn off the engine and remove the spark plug cable.

PRESENTATION

Presentation

Congratulations on your choice of an exceptionally high quality product. This operator's manual describes the BlueBird dethatcher. The machine is available in two basic designs 18" and 22" widths.

The machine is equipped with a 5.5 hp Honda, 5.5 hp or 8 hp Briggs & Stratton, four-cycle engine.



The 22" dethatcher can be equipped with a catcher. It is available as an accessory at your BlueBird dealer. It can be mounted after purchase.



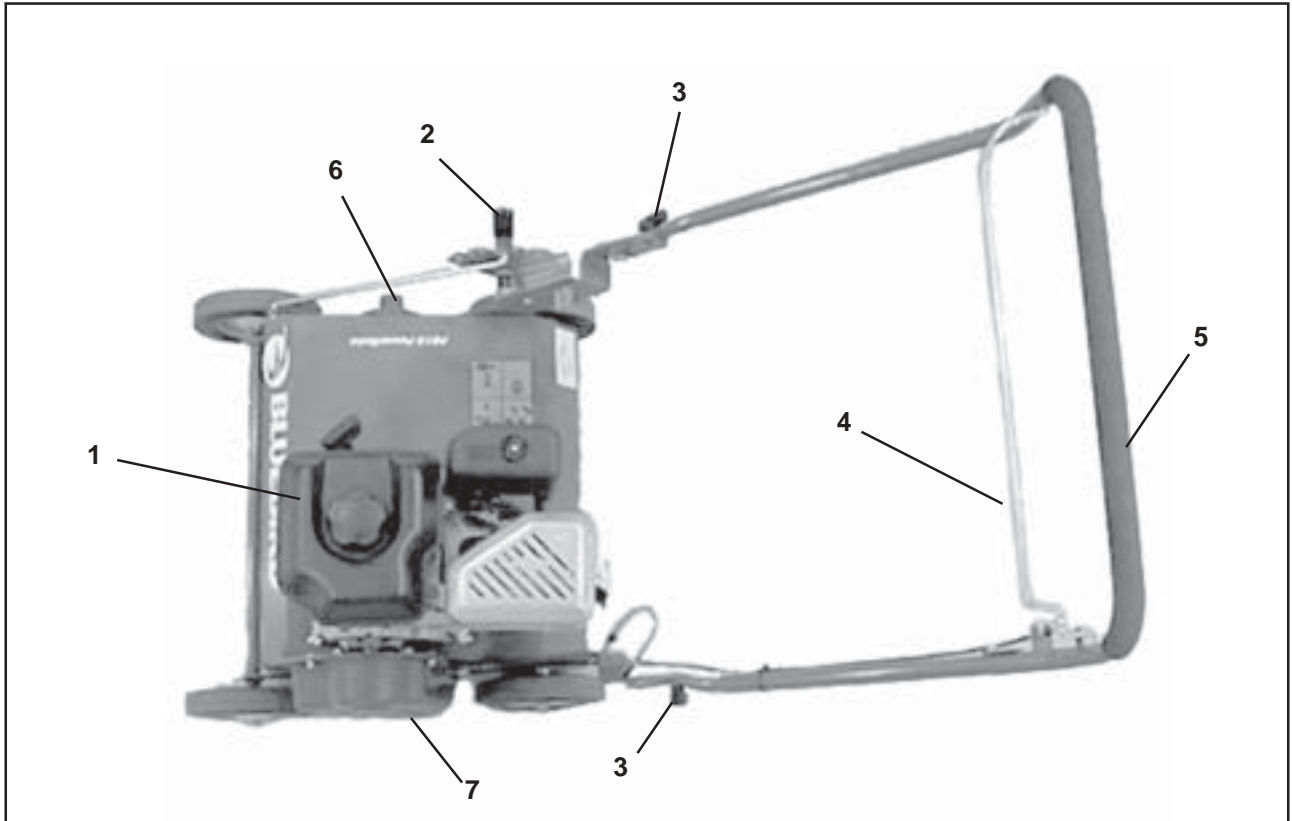
Alternatively, the 22" dethatcher can be equipped with a seeder. It is available as an accessory at your BlueBird dealer. It can be mounted after purchase.

It is not possible to use a catcher and seeder simultaneously.



CONTROLS

Main components and operating instruments



- | | |
|--------------------------------|----------------|
| 1. Engine | 5. Handle |
| 2. Depth lever | 6. Shaft guard |
| 3. Knob for collapsible handle | 7. Belt shield |
| 4. Clutch bail | |

CONTROLS

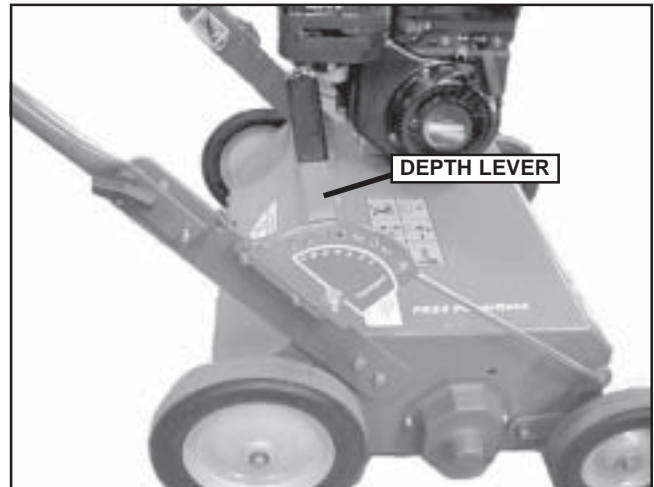
Engine

Refer to your engine manual.

Cutting unit

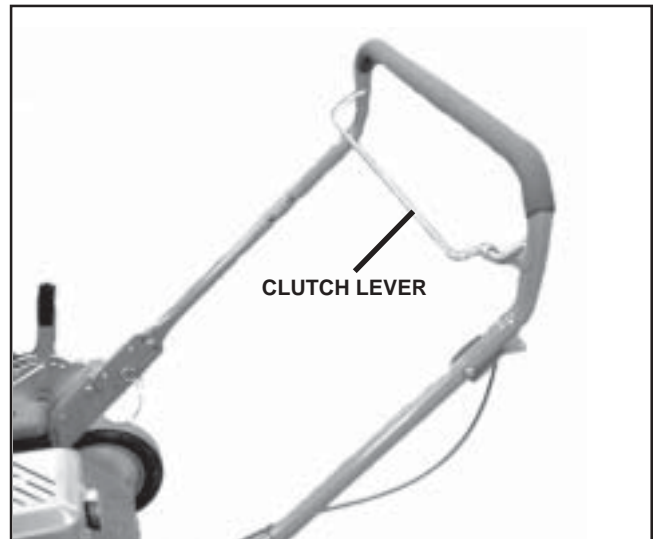
Depth lever

Use the depth lever to raise and lower the blades between working and transport position. The depth lever has a lock-out bolt that should be left in till the blades wear down. Then move the bolt to another hole to allow the blades to penetrate the soil to a depth of 1/8" to 1/4" with a maximum penetration of a 1/2". Check your seed bag for the manufacture's recommended depth of application.



Clutch

The clutch tightens the drive belt and engages the drive for the blades. When the clutch lever is pressed against the handle, the blades begin to rotate. Hold the clutch tightly when working so that the belt does not slip.

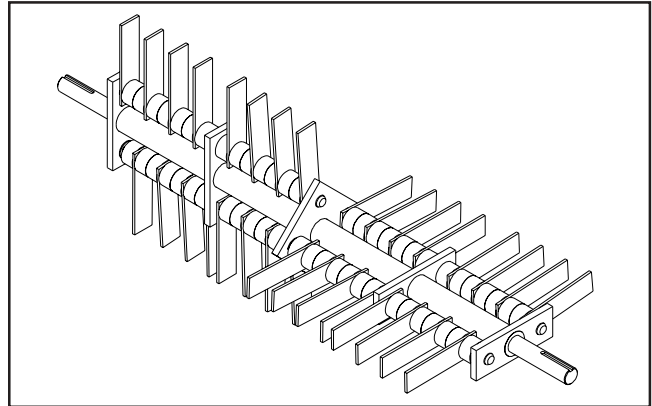


CONTROLS

Blade versatility

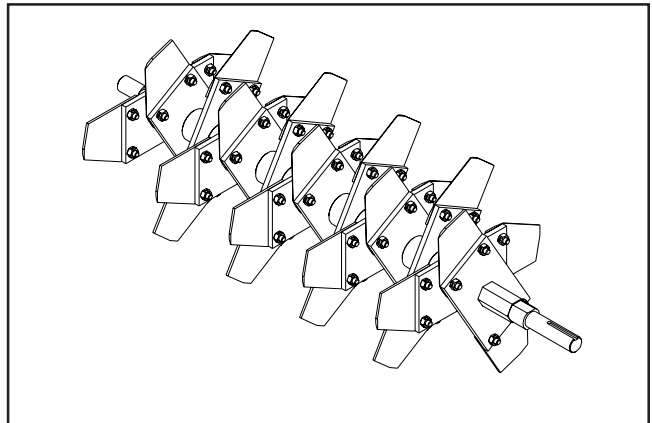
Flail blade

Thatch is the dense layer of clippings, roots and stems that forms between the soil and the base of the grass. As thatch builds up, it prevents water, air and fertilizer from being absorbed into the soil. This causes shallow root development leading to vulnerability to drought and frost. Excessive thatch also creates an ideal environment for insects and lawn diseases. Power-raking with flail blades removes this thatch layer and restores your lawn to good health. Flail blades offer the most aggressive dethatching of all the blades offered.



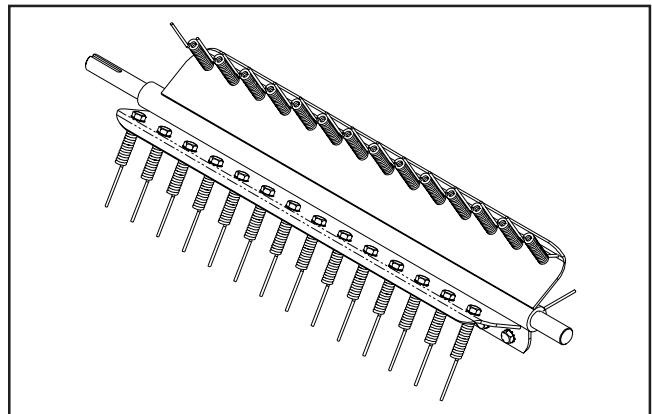
Delta blade

Delta blades were created primarily for overseeding existing lawn. They effectively incorporate grass seed into the soil. This is an easy, reliable method for rejuvenating poor lawns. The delta blade is also useful as a vertical mower for cutting running stem grasses and opening up the soil to oxygen, water, nutrients and other chemicals. Delta blades are also beneficial on slopes, terraces and in high clay content soils where water runoff is a problem. The blades should be set to penetrate the soil to a depth of 1/8" to 1/4" with a maximum penetration of 1/2". Check your seed bag for the manufacture's recommended depth of application.



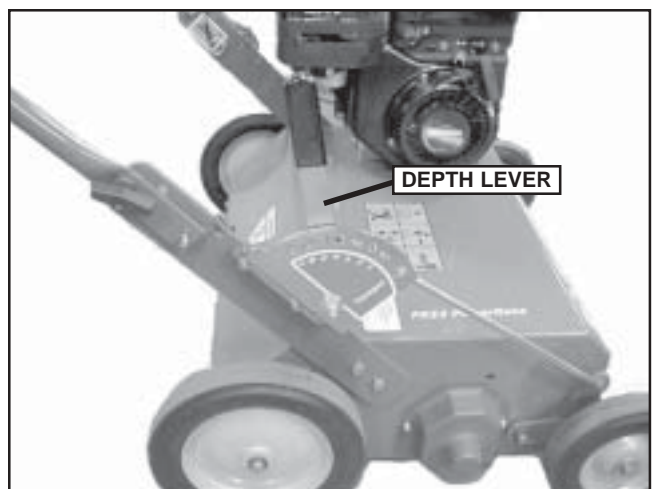
Spring tine

Ideal for the established lawn that is not in need of a complete renovation but requires dethatching (dry-spots, fungus, etc.). Spring tines are designed to pluck dead grass and thatch out of the lawn without tearing or damaging existing root structure. With the flexible tines, the lawn is combed only 0.5 cm into the soil, so it cannot penetrate the root structure. Spring tines provide less aggressive dethatching than flail blades.



Setting blade height

The blades are raised and lowered using a depth lever on the right side of the machine. Push in and move lever to the correct height. Higher numbers increase the blade depth.



OPERATION

Before you start

- Mow the lawn to its normal length.
- Allow the lawn to dry. Wet conditions can cause extensive damage to healthy grass.

FLAIL BLADES OR SPRING TINES:

- **Flail Blades or Spring Tines:** Set blade or tine depth so that the blades or tines just touch on a flat surface such as a sidewalk or driveway.
- **Delta Blades:** Set blades to penetrate the soil to a depth of 1/8" to 1/4" with a maximum penetration of 1/2". Check your seed bag for the manufacture's recommended depth of application
- Lawns with deep thatch exceeding 2 cm may be best dethatched in two treatments (spring and fall) to avoid major shock to an older lawn.

Starting

- Set the depth lever in working position.
- To engage the clutch in heavy thatch, bear down on the handle and raise the front wheels slightly. Hold the clutch engaged against the handle and carefully lower the machine into the turf.
- Do a small test area at a slow walking pace.
- If the engine speed drops excessively, the depth setting is too deep.
- If the machine pulls forward and bucks roughly, the depth setting is too deep. Check for stones or fixed objects in the lawn.

Finishing

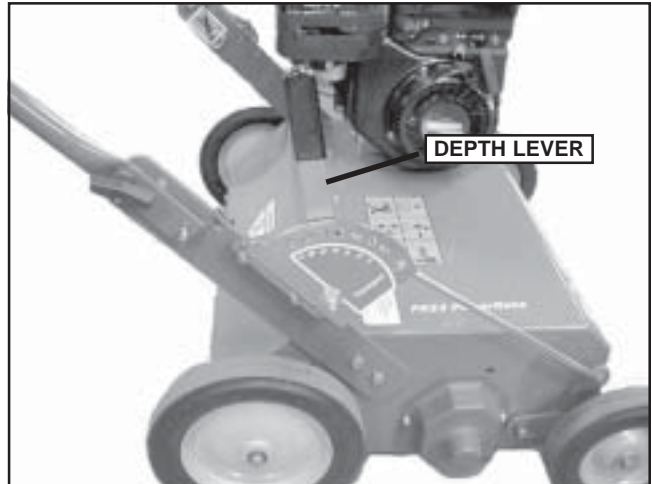
- Remove all extracted thatch from the grass and compost/dispose of properly.
- Other methods for improving your lawn may include aeration and fertilization.

IMPORTANT INFORMATION

Clear the lawn of any debris.

Clearly mark rocks and other fixed objects.

Be especially sure to check for hidden electrical cables or similar in the surface of the lawn.



MAINTENANCE


Maintenance schedule

The following is a list of maintenance procedures that must be performed on the machine. For those points not described in this manual, visit an authorized service workshop.

Maintenance	Daily maint. before starting	Maintenance interval months/hours			
		1/25	3/50	6/100	12/300
Check the engine oil level	●				
Replace engine oil ¹⁾				●	
Check the air filter	●				
Clean the air filter ²⁾			●		
Replace air filter cartridge ²⁾					●
Clean sludge reservoir for fuel system				●	
Check and clean the spark plug				●	
Replace the spark plug					●
Check idle speed					●
Check and adjust play in valves ⁴⁾					○
Clean fuel tank ⁴⁾					○
Check, replace fuel lines as necessary ^{4, 5)}					○
Check clutch and clutch cable	○				
Check flail blade lock washers	○				
Check decals and warning signs	○				
Check the seed holes for the seeder	○				
Check wear and tension on the belts		●			
Check blade wear and condition		●			
Check the chassis, bolts and set screws			○		
Check the seed control lever for the seeder		○			
Check the wire mountings on the seeder		○			
Lubrication; see the Lubrication schedule					

¹⁾ First change after 20 hours. ²⁾ In dusty conditions maintenance is required at shorter intervals. ³⁾ With daily use, the machine shall be lubricated twice weekly. ⁴⁾ Performed by authorized service workshop. ⁵⁾ Performed every second year.

- = Described in this manual.
- = Not described in this manual.



WARNING!

No service operations may be performed on the engine or unit unless:

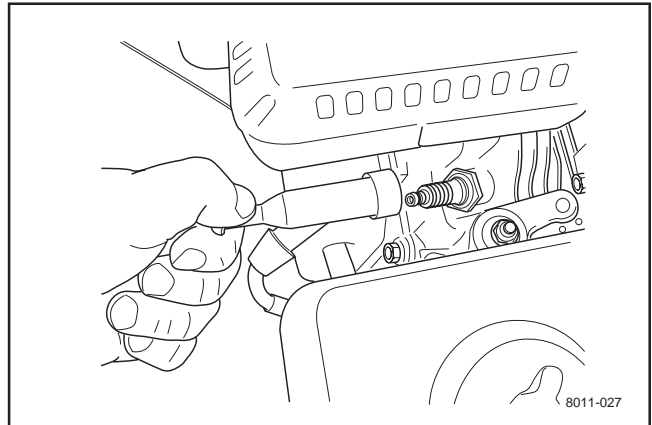
- The engine is stopped.
- The ignition cable has been removed from the spark plug.
- The machine is securely parked where it will not tip or begin rolling.

MAINTENANCE

Cutting unit

Checking the drive belt

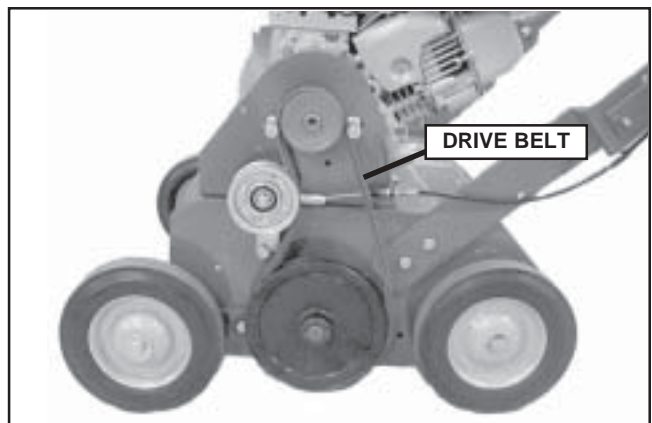
1. Allow the engine to cool.
2. Remove the spark plug cable.
3. Remove the belt guard (see illustration) on the left side of the machine.
4. Check that the belt is running in the proper track; the pulleys should guide the belt in a straight line.
5. Check that the belt and pulleys are not oily. If they are, first try to clean them with spirits. If they are heavily coated, take the machine to an authorized service workshop to fix the oil leakage and replace the belt.
6. Check the belt for cracks, heat damage or worn edges. If these symptoms appear, replace the drive belt; see "Replacing the drive belt".
7. Check that guide and tensioning equipment for the belt is not loose and is properly set; see "Replacing the drive belt".
8. Refit the belt guard.



Replacing the drive belt

Replace the drive belt as follows:

1. Allow the engine to cool.
2. Remove the spark plug cable.
3. Remove the belt guard.
4. Loosen the belt guides.
5. Remove the old belt.
6. Check for wear on the pulleys and replace as necessary.
7. Check the engine pulley alignment to the rotor pulley and adjust as necessary. The belt should run straight.
8. Fit a new belt by first pulling it over the lower pulley and then the engine pulley. Check that the tensioning pulley and belt guides end up outside the belt loop.
9. Tighten belt guides and refit the belt guard.



MAINTENANCE

Wear/Rotation/Replacing flail blades

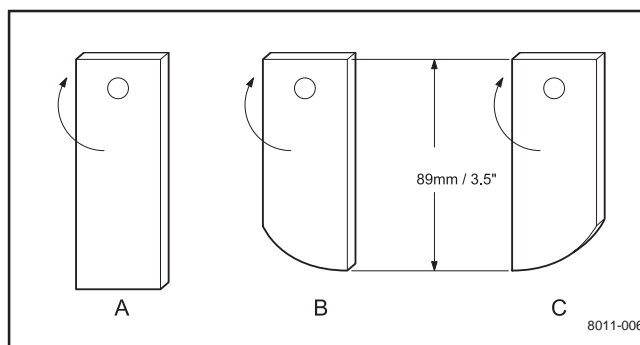
After you have used your dethatcher for some time, the blades will begin to wear on the striking edge. When this happens, their dethatching performance will diminish. A new combing edge may be obtained by rotating the entire rotor shaft assembly laterally (end to end). This procedure can be repeated until the blades reach their wear limit; see illustration.

Rotate the rotor shaft as follows:

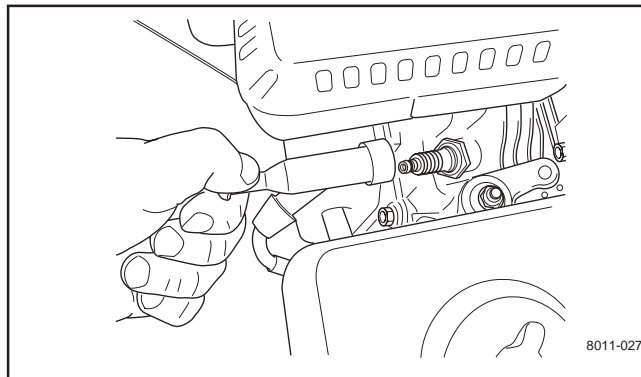
IMPORTANT INFORMATION
Only the flail blade rotor shaft can be rotated to achieve even wear. The spring tines and delta blades must be operated in the correct direction.

Rotating the rotor shaft

1. Allow the engine to cool.
2. Disconnect the spark plug.
3. Remove the belt guard (see illustration).
4. Remove the belt guard and pulley from the rotor shaft (see illustration).
5. Remove the 6 bearing bolts and allow the rotor shaft to slide out.
6. Check the shaft, bearing, blade length, blade e-rings and spacers.
7. Rotate the shaft end for end.
8. Refit the bearing bolts.
9. Refit the pulley and check that it is aligned with top pulley.
10. Refit the drive belt.
11. Check the pulley alignment to the engine shaft pulley. The drive belt should run smoothly in its track. Adjust as necessary. Tighten the pulleys.
12. Refit the belt guard.
13. Reattach the spark plug cable.



- A. New blade
- B. Worn blade
- C. After rotation



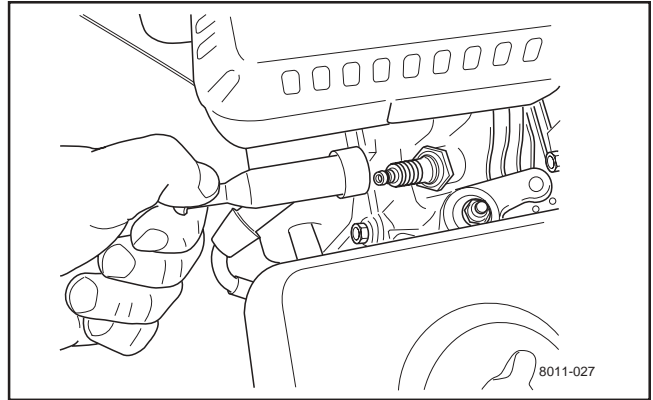
MAINTENANCE

Replacing worn flail blades

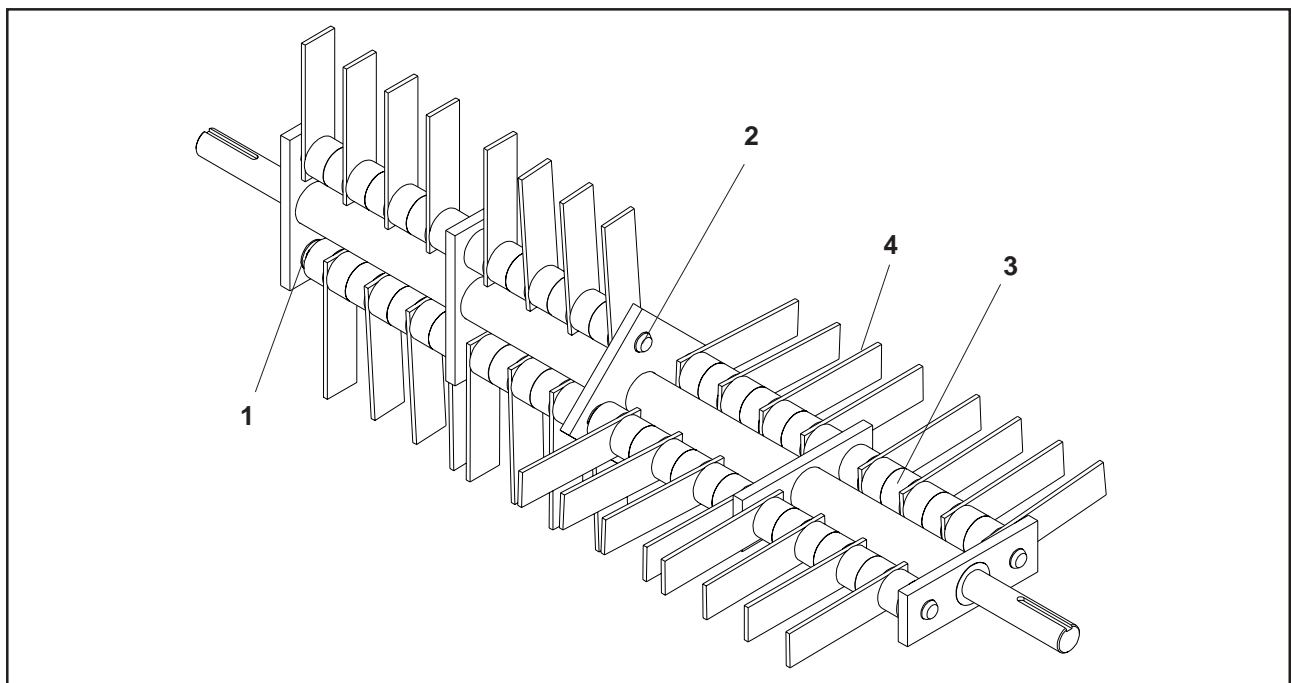
1. Allow the engine to cool.
2. Disconnect the spark plug.
3. Tip the machine forward; see the section "Two minute rule".

IMPORTANT INFORMATION

When tipping the machine forward observe the "Two minute rule".



4. Remove e-rings (1) (locking washer type) that hold the blade shaft (2) in place (see the illustration).
5. Inspect the blade shafts and replace if bent or worn.
6. Drive the blade shafts out towards the center. The blades (4) and the plastic spacers (3) will fall off.
7. Fit the new blades and replace the plastic spacers as necessary. Refer to the illustration of the components for blade/spacer placement.
8. Install e-rings.
9. Repeat this procedure for the remaining three shafts.
10. Reattach the spark plug cable.



MAINTENANCE

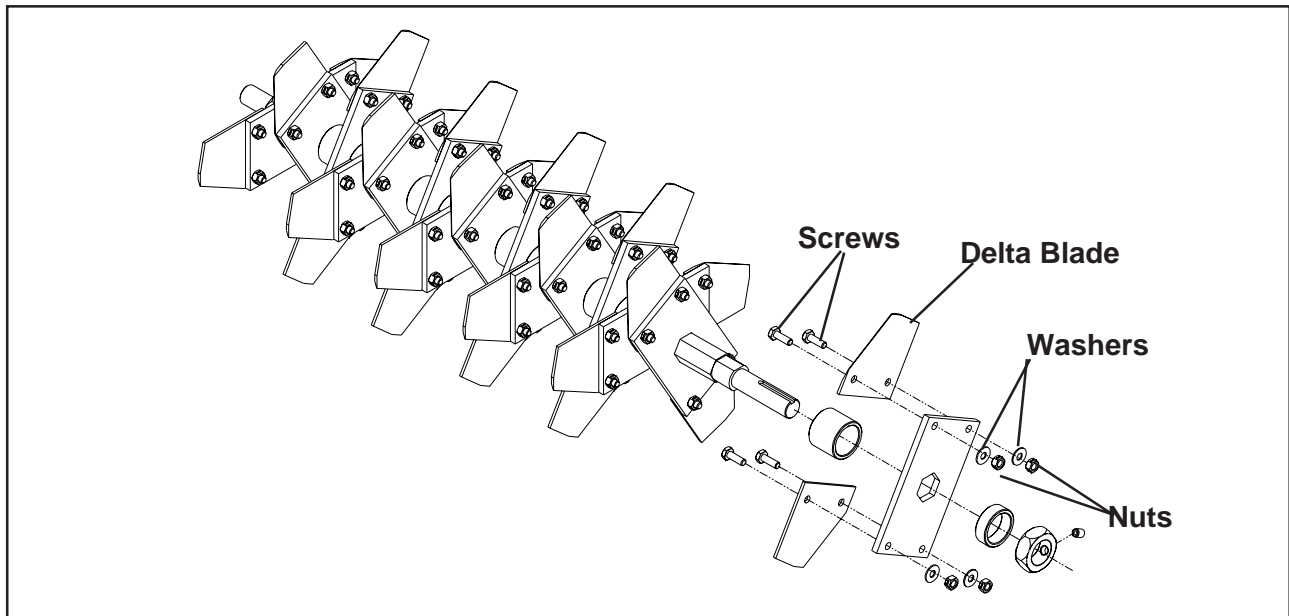
Wear/Replacing delta blades

Over time and due to wear, the blades will diminish in length. Once the blades have worn down by about 19 mm (3/4"), the overall length of the blade at the longest point of the blade will be about 64 mm (2 1/2"), and it will be necessary to replace the blades.

It is possible to replace delta blades without

removing the rotor shaft. Remove the delta blade by removing the two screws with nuts holding the blade in place.

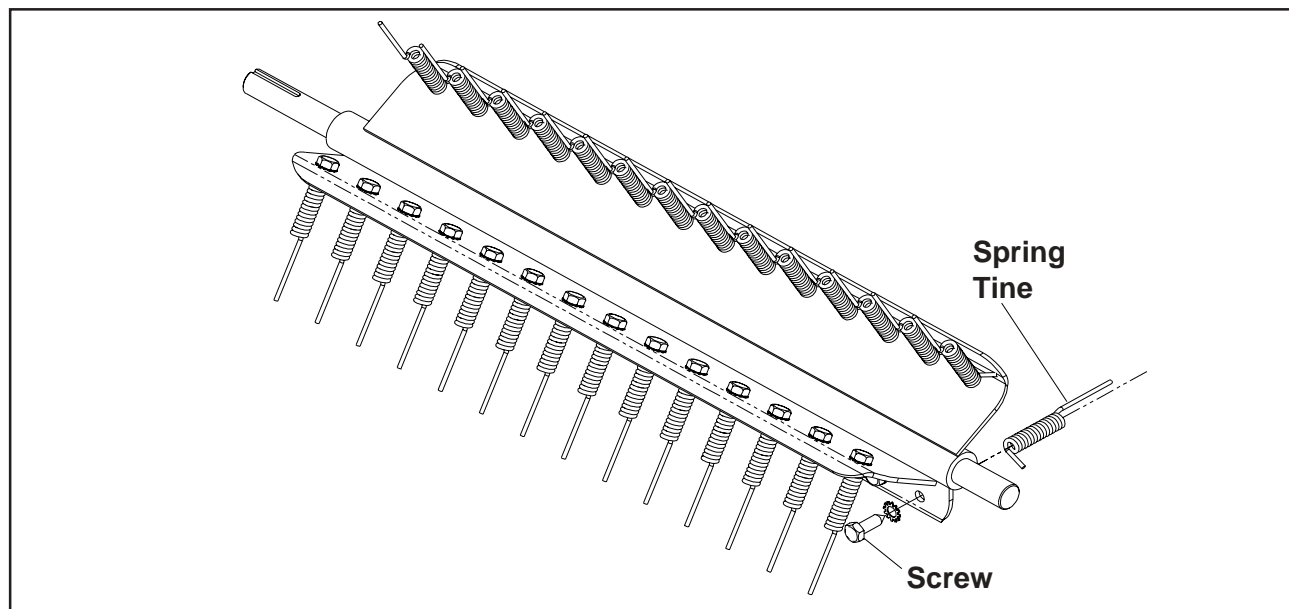
Turn the new blade until it is properly aligned; see illustration.



Wear/Replacing spring tines

Over time and due to wear, the tines will diminish in length. When the tines can no longer be adjusted to comb 6 mm (1/4") into the soil, the tines must be replaced.

Spring tines can be replaced without removing the rotor shaft by using a 1/2" socket wrench. Remove the screw and replace the spring tine using the wrench.



MAINTENANCE

Two minute rule

The machine may be tipped forward to facilitate access for cleaning or service, but **no longer than 2 minutes**.

If the machine is held in this position for too long, the engine can be damaged by gasoline draining into the crankcase. Should this happen, perform an extra oil change on the engine. Remove the spark plug and turn the engine over a few revolutions with the starter handle before starting the engine again.

Cleaning and washing

Regular cleaning and washing will increase the machine's lifespan. Make it a habit to clean the machine directly after use, before the dirt sticks.

Check before rinsing that the fuel tank lid is properly in place to avoid getting water in the tank.

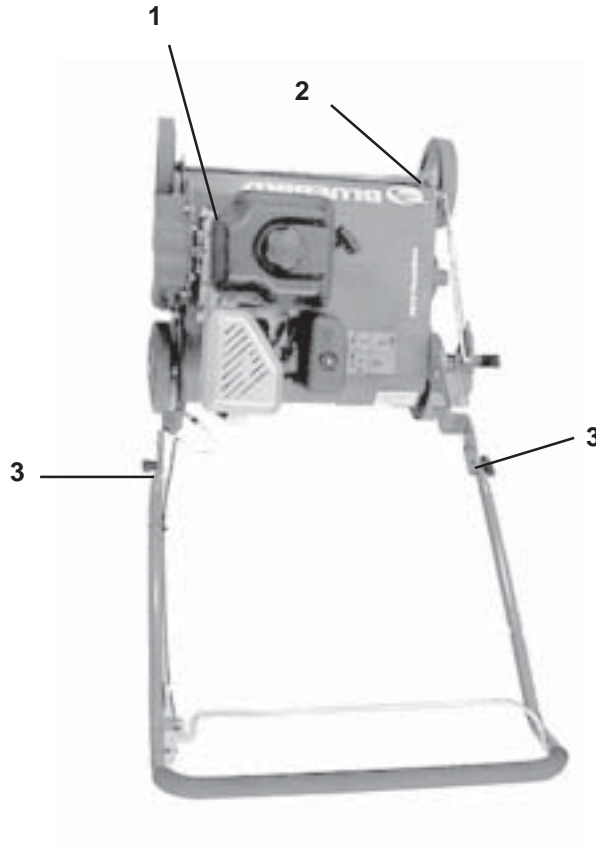
Use caution when using high-pressure spray because warning decals, instruction signs and the engine can be damaged. **Do not exceed 70 bar/ 1000 PSI water pressure when cleaning.**

Lubricate the machine after cleaning. This is particularly important if the machine is to be stored.

LUBRICATION

Lubrication schedule

1. Check engine oil daily, change every six months or 100 hours.
2. Check and lubricate wheel bearings once a month.
3. Lubricate folding handle points once a week.



General

Stop the engine and remove the ignition cable before attempting to lubricate the machine.

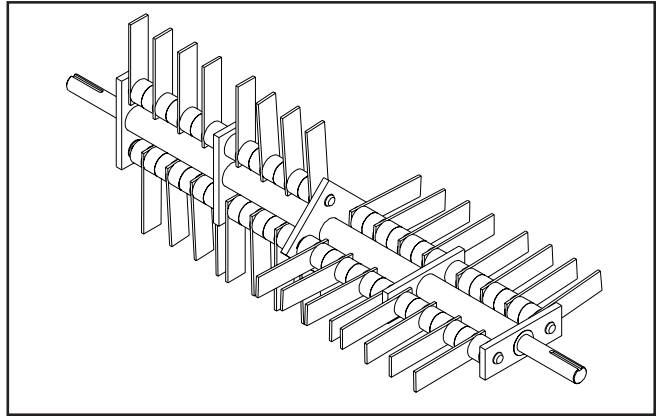
Wipe away excessive grease after lubrication.

It is important to avoid getting lubricant on the belt or the drive surfaces on the belt pulleys. Should this happen, attempt to clean them with spirits. If the belt continues to slip after cleaning, it must be replaced.

LUBRICATION

1. Blades

Cover the blades with a thin coat of oil to avoid rust. This is particularly important prior to winter storage or if the machine will not be used for a period of longer than 30 days.



2. Handle

Lubricate the joints at both sides of the handle with an oil can.



TROUBLESHOOTING

Symptom	Cause	Action
The engine will not start		
• User error	Fuel valve closed.	Open the fuel valve.
	Choke valve open.	Close the choke with cold engine.
• Fuel system	Engine switch in OFF position.	Turn the engine switch to ON.
	Fuel tank empty.	Fill with fuel.
	Machine stored without observing proper procedure from chapter "Storage/Winter storage"	Clean tank, sludge reservoir and empty carburetor. Fill the tank with fresh fuel.
	Contamination, water or ice in fuel system.	Clean tank, sludge reservoir, fuel lines and carburetor. Fill the tank with fresh fuel.
• Spark plug	Carburetor problems.	Contact an authorized service workshop.
	Wrong spark plug type.	Replace the spark plug.
Short circuit.	Build-up on electrodes. replace spark plug.	Check electrode gap and clean or
	Gasoline or oil on the spark plug.	Clean the spark plug. Air the engine out. Start with full throttle.
• No spark after checking spark plug	Faulty engine switch, cable or ignition.	Contact an authorized service workshop.
• Low compression	Serious interior engine damage or faulty valves.	Contact an authorized service workshop.
Engine is under powered or runs unevenly		
• Air filter	Clogged air filter.	Clean or replace the air filter.
• Fuel system	Machine stored without observing proper procedure from chapter "Storage/Winter storage"	Clean tank, sludge reservoir and empty carburetor. Fill the tank with fresh fuel.
	(Blue exhaust)	Tank filled with 2-cycle mixed oil.
(Voluminous blue-white exhaust)	Tank filled with diesel.	Clean tank, sludge reservoir and empty carburetor. Fill the tank with proper fuel.
(Black exhaust)	Choke left on.	Open choke valve.
	Clogged air filter.	Clean or replace the air filter.
	Carburetor problems.	Contact an authorized service workshop.
• Ignition system	Wrong spark plug type.	Replace the spark plug.
	Build-up on electrodes. replace spark plug.	Check electrode gap and clean or
Short circuit.	Faulty ignition unit.	Contact an authorized service workshop.
• Low compression (possible blue exhaust)	Serious interior engine damage or faulty valve.	Contact an authorized service workshop.

STORAGE

Winter storage

At the end of the season, the machine should be readied for storage (or if it will not be in use for longer than 30 days). Fuel allowed to stand for long periods of time (30 days or more) can leave sticky residues that can plug the carburetor and disrupt engine function.

Fuel stabilizers are an acceptable option as regards sticky residues during storage. If alkylate gasoline (Aspen) is used, stabilizers are unnecessary because this fuel is stable. However, you should avoid switching between regular and alkylate gasoline as sensitive rubber components can harden. Add stabilizer to the fuel in the tank or in the storage container. Always use the mixing ratios specified by the manufacturer of the stabilizer. Run the engine for at least 10 minutes after adding the stabilizer so that it reaches the carburetor. Do not empty the fuel tank and the carburetor if you have added stabilizer.



WARNING!

Never store an engine with fuel in the tank indoors or in poorly ventilated spaces where fuel vapor can come in contact with open flame, sparkis or a pilot light such as in a boiler, hot water tank, clothing drier, etc.

Handle the fuel with caution. It is very flammable and careless use can cause serious damage to person and property. Drain the fuel into an approved container outdoors and far away from open flame. Never use gasoline for cleaning. Use a degreaser and warm water instead.

Service

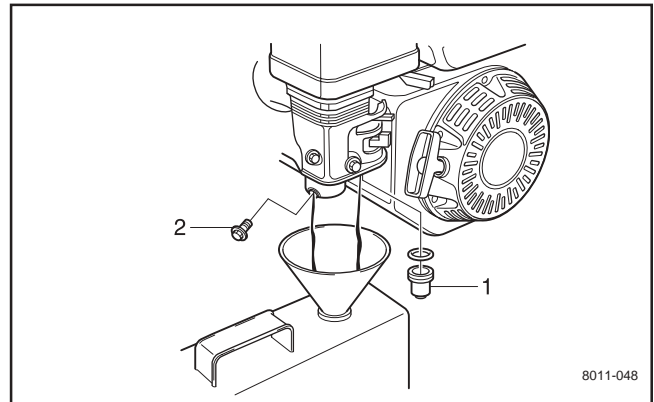
When ordering spare parts, please specify the purchase year, model, type, and serial number.

Always use genuine BlueBird spare parts.

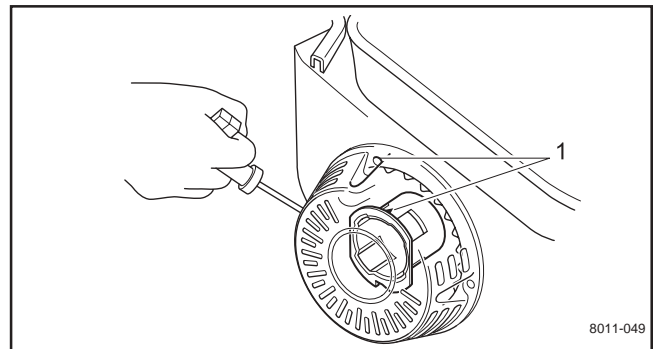
An annual check-up at an authorized service workshop is a good way to ensure that your machine performs its best the following season.

To ready the machine for storage, follow these steps:

1. Clean the machine carefully, particularly the chassis and working equipment. Mend damage to the paint to prevent rust.
2. Inspect the machine for worn or damaged parts and tighten any nuts or bolts that may have become loose.
3. Change the engine oil; dispose of properly.
4. Open the fuel valve. Empty the fuel tank (1) and the carburetor (2).



5. Close the fuel valve.
6. Remove the spark plug and pour about a tablespoon of engine oil in the cylinder. Turn over the engine so that the oil is evenly distributed and then refit the spark plug. Put the engine in the compression phase where the triangle mark on the sleeve of the starter is aligned with the upper hole in the starter. Note: Compression phase occurs every second revolution.



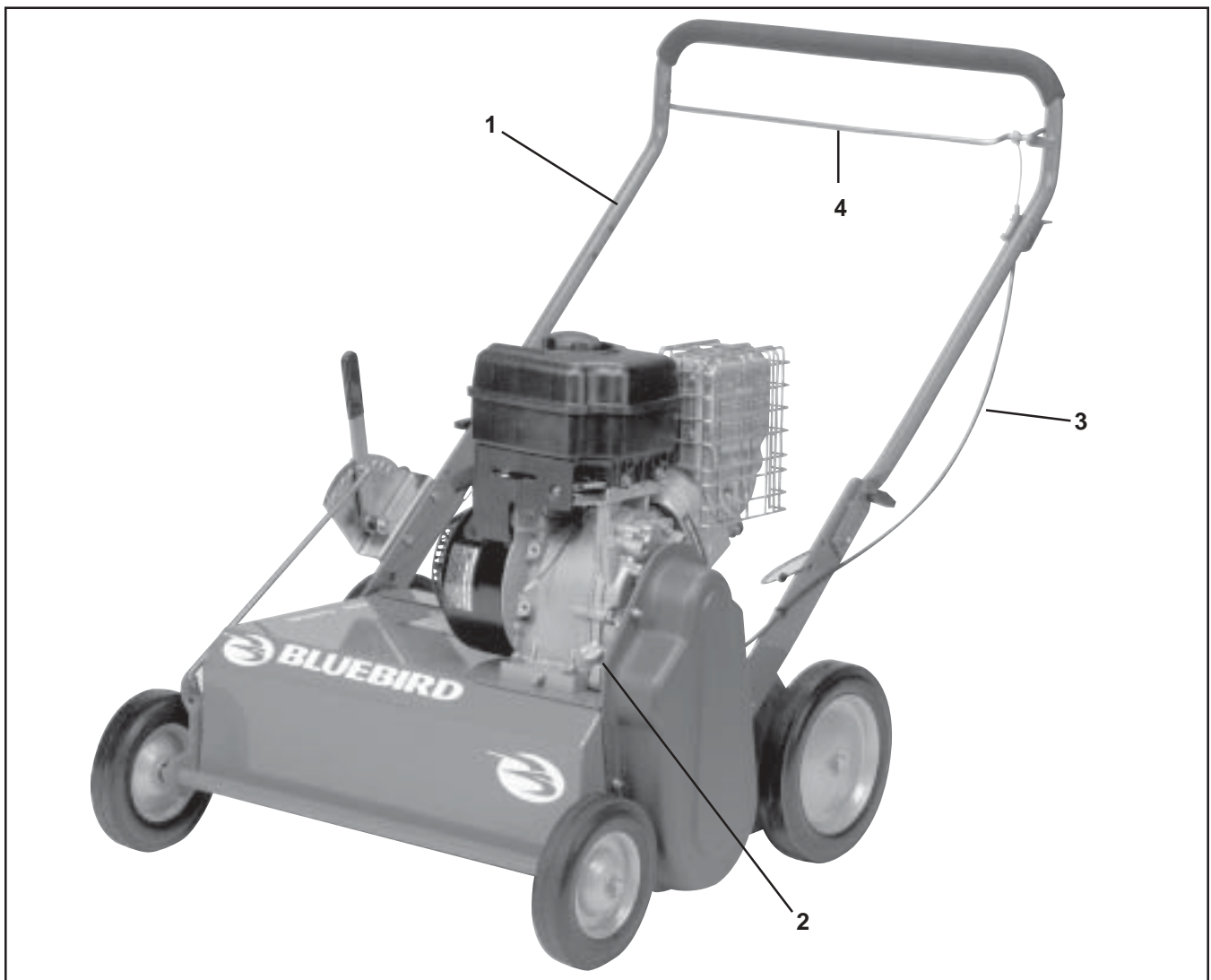
7. Lubricate all grease nipples, joints and shafts as described in the chapter "Lubrication/ Lubrication schedule".
8. Store the machine in a clean, dry place and cover it for extra protection.

ASSEMBLY INSTRUCTIONS

Assembly – delivery service

1. Rotate the handle and tighten it in place.
2. Fill the engine with the manufacturer-recommended oil. See section "Lubrication/Engine oil".
3. Test the clutch. Make sure that the clutch expansion spring disengages 6.35 mm (1/4") easily.
4. The engine RPM is preset by the manufacturer. Idle speed is 1250–1400 RPM. Maximum engine speed is 3600 RPM.

See the engine manual for instructions on adjusting the regulator and carburetor if the engine speed is not within these limits.



1. Handle
2. Oil refill engine
3. Clutch cable
4. Clutch bail

BAGGER ASSEMBLY

Assembly directions, catcher bag

(Part No. 107178)



WARNING!

DO NOT use or start the engine until the catcher bag is in place.



WARNING!

Machines equipped with a catcher MUST not be used with defective catcher bags or without the catcher bag. They pose a risk of thrown stones, eye injury and inhalation of pollution.

1. Remove rear cover, it is not used with the bagger attachment.
2. Disconnect cable on handle, remove clutch bail from handle.
3. Remove handle from unit saving hardware.
4. Place a stable support under the rear frame to support the unit when the rear wheels are removed.
5. Remove the two (2) retaining rings on the rear wheel (they are not reusable, new rings are provided in the kit). Remove wheel from rear axle.
6. Loosen one (1) set screw on the locking collar. Using a punch loosen the locking collar on the rear axle. Repeat on the other side of unit.
7. Remove rear axle from unit. The wheel that is pinned to the axle can remain on the axle.

NOTE: If axle is rusty, remove rust with fine sandpaper.

NOTE: Rubber flapper does not have to be removed.

8. Remove bearings from the frame, retain hardware.
9. Install tray matching screw holes in main frame. See Figure 1.

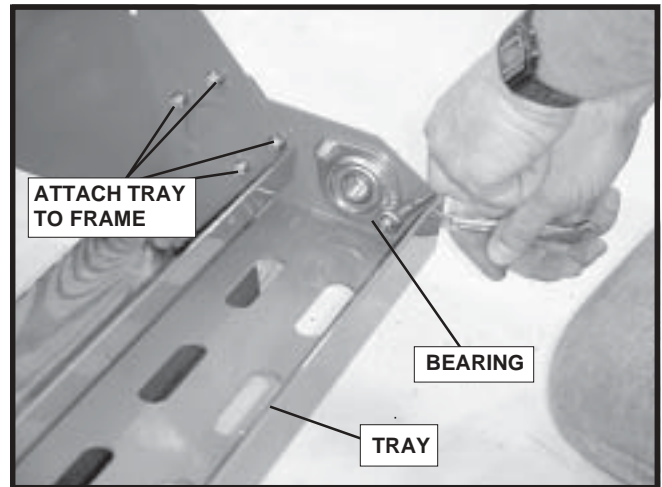


FIGURE 1

10. Apply bearings on the inside of the tray, DO NOT tighten hardware, just snug it. See Figure 1.

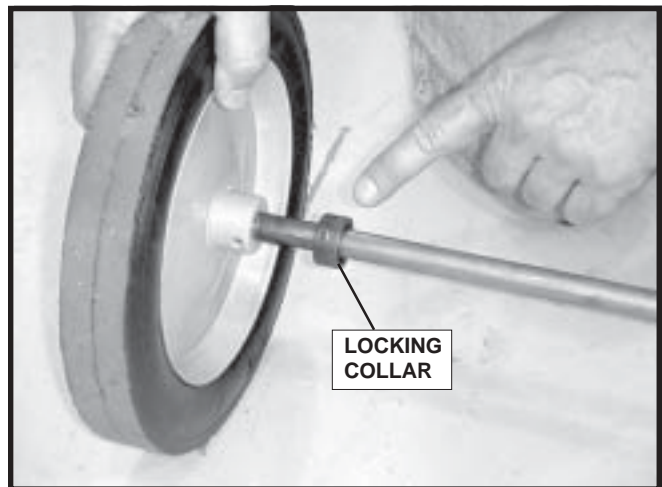


FIGURE 2

11. Add locking collar to shaft, install shaft through bearings and tray. Place the other locking collar on the shaft. See Figure 2. Using a punch tighten the locking collars, then tighten the set screw. Repeat for the other side.

BAGGER ASSEMBLY

12. Slide wheel on and apply two (2) retaining rings.

NOTE: The teeth on the retaining rings should point away from the wheel.

13. Tighten wheel bearing hardware on both sides.

NOTE: If you have not installed the flail reel shaft, do so now.

14. Install rubber flaps between flail blades on the rake shaft. See Figure 3. If this shaft is installed, you **DO NOT** have to remove the shaft from the unit to install the the rubber flaps.

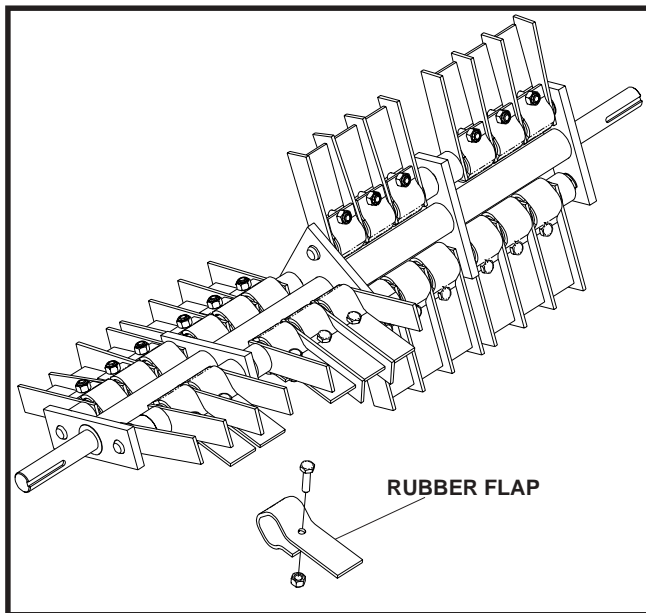


FIGURE 3

15. Remove belt guard. Remove cable by removing the pulley. See Figure 4. Attach new cable and replace pulley. Save the old cable for use when the bagger is not used.

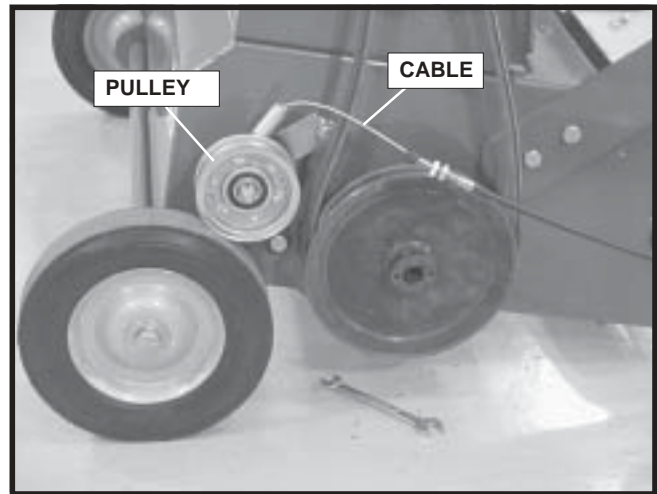


FIGURE 4

16. Attach the chute to the mainframe.

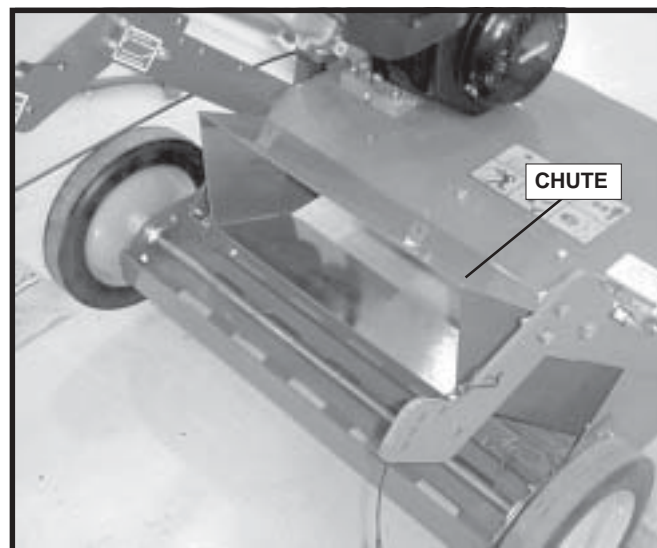


FIGURE 5

17. Install two extenders on the outside of the lower handle assembly. Attach the lanyards with pins to the extenders as shown in Figure 6.

BAGGER ASSEMBLY

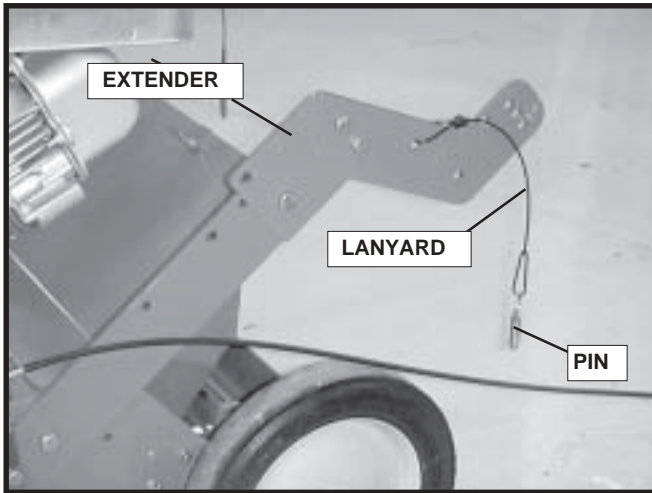


FIGURE 6

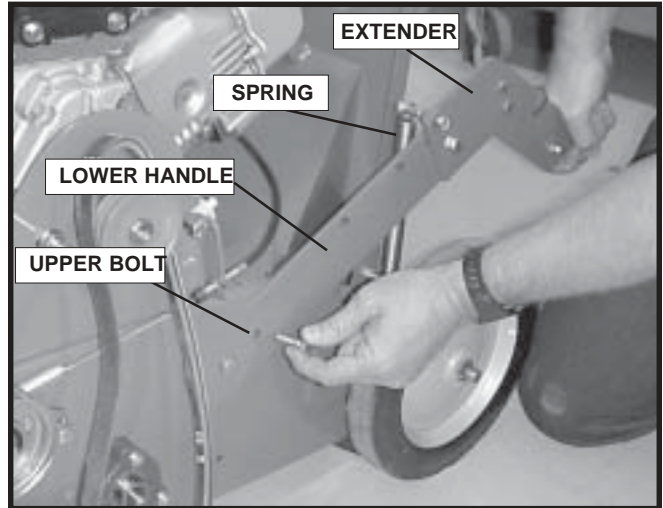


FIGURE 8

18. Place door in position and set the hinge bolts. DO NOT tighten the bolts, leave at least 1/16" space. Thread nut on to the bolt. See Figure 7

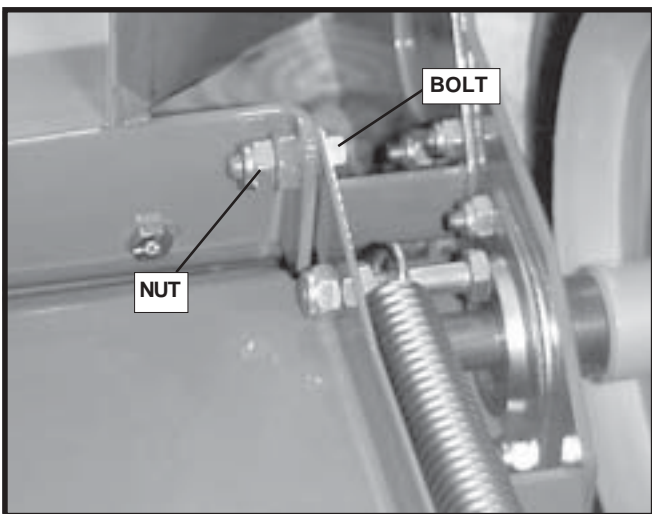


FIGURE 7

19. Remove upper bolt from lower handle and rotate handle toward the ground. Using the hardware provided install the spring to the extender. Rotate handle back to original position stretching spring, re-install the 3/8" bolt into the lower handle. Repeat on other side. See Figure 8.

20. Attach upper handle to the extenders.

21. Attach upper end of cable to the handle and install cable through clutch bail. Fit clutch bail into the handle. See Figure 9.

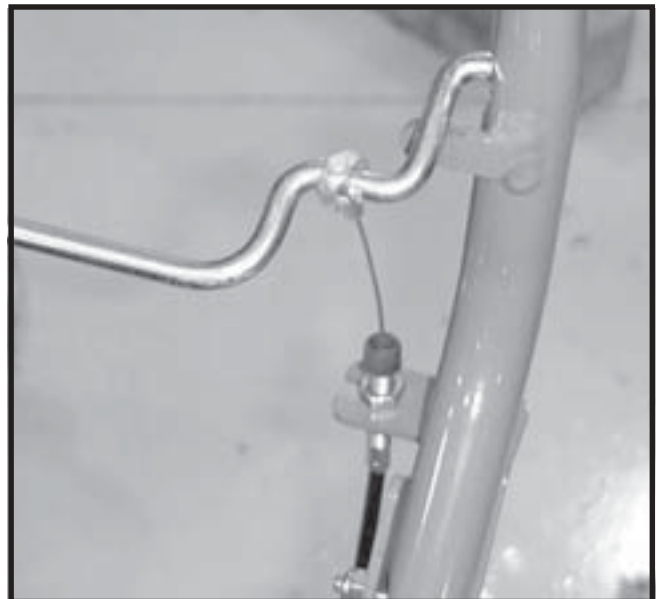


FIGURE 9

BAGGER ASSEMBLY

22. Wire tie the cable to the handle. See Figure 10.

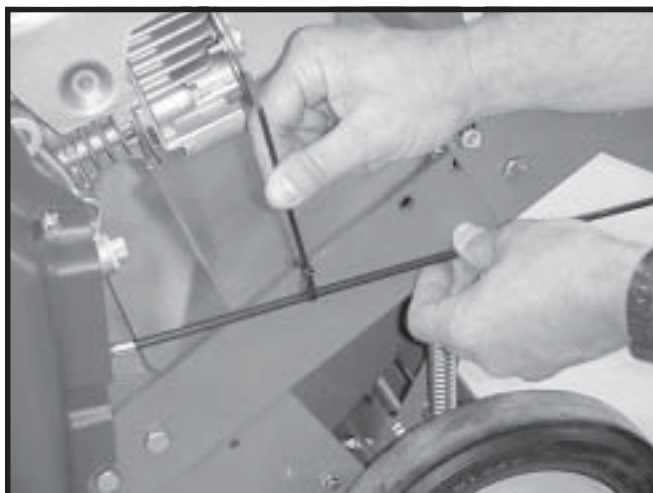


FIGURE 10

23. Check adjustment of clutch cable. If cable needs adjusting, the adjusting should be done at the lower end with the spring.

Adjust as follows:

Pull the clutch bail tightly against the handle.

The spring stretch should be 3/8" - 1/2".

If this range is not met, the adjustment should be done closest to the spring.

24. Replace belt cover.



WARNING!

DO NOT use or start the engine until the catcher bag is in place.



WARNING!

Machines equipped with a catcher MUST not be used with defective catcher bags or without the catcher bag in place. They pose a risk of thrown stones, eye injury and inhalation of dust.

25. Fit catcher bag to the bag frame as follows:

- Affix the bag's plastic rails to the frame.
- Install the upper portion of the bag between the two struts on the upper portion of the frame and affix the bag to the front edge of the frame.
- Press on the snaps, one on each side. See Figure 11.

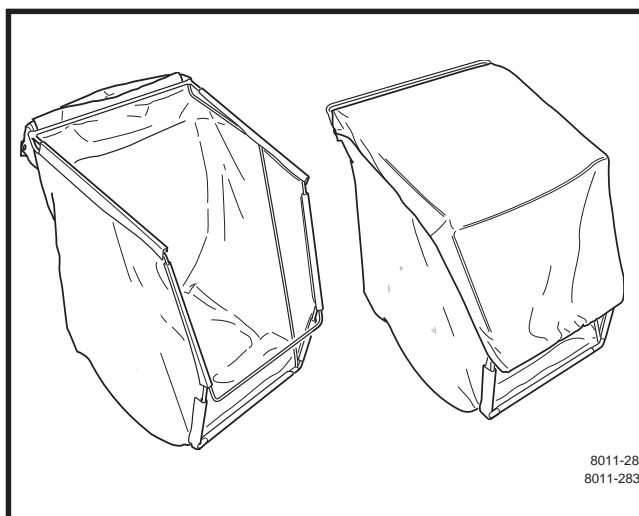


FIGURE 11

26. Attach bag to unit.



FIGURE 12

BAGGER ASSEMBLY

Instructions for the catcher bag



WARNING!

Machines equipped with a catcher **MUST** not be used with defective catcher bags or without the catcher bag.

They pose a risk of thrown stones, eye injury and inhalation of pollution.

Catcher bag

Insert the catcher bag into the underside of the handle and open the safety door place bag on the catcher chute.

See "Assembly instructions\Assembly directions, collector bag".

Correct height setting

The thatch collected will be thrown into the catcher by the force arising from the flail blades combing through the grass. The blades may not strike the soil. If the blades come in contact with the soil, they will claw, which results in ineffective dethatching.

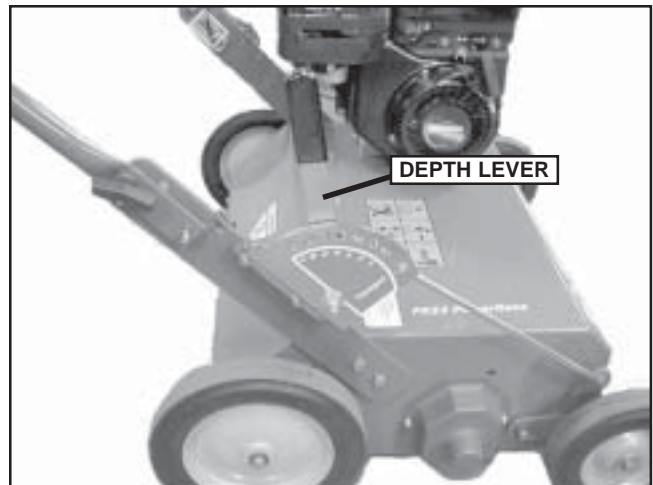
Collection conditions

One achieves best results if the lawn is short and dry. Wet lawns make collection less effective. If the grass is long, one may end up pulling and tearing at the lawn. If the layer of thatch is thick, BlueBird recommends going over the lawn first in one direction and then again in a perpendicular direction. A thick layer of thatch may have formed over several years, and the lawn may need combing 2-3 times before it is removed completely. Do not attempt to remedy a major problem by combing the lawn just once.

Maintenance

Check prior to use that the catcher is properly assembled and that the bag is not damaged. See "Assembly instructions\Assembly directions, collector bag".

Clean the equipment after use.



SEEDER ASSEMBLY

Assembly directions, Seeder

(Part No. 107179)



WARNING!

DO NOT use or start the engine until the seeder is in place.

1. Remove rear cover, it is not used with the seeder attachment.
2. Place a block of wood under the rear frame to support the unit when the rear wheels are removed.
3. Remove the two (2) retaining rings on the rear wheel (they are not reusable, new rings are in the kit). Remove wheel from rear axle.
4. Loosen one (1) set screw on the locking collar. Using a punch loosen the locking collar on the rear axle. Do the same on the other side.
5. Remove bolts holding the bearings to the frame.
6. Remove rear axle from unit. The wheel that is pinned to the axle can remain on the axle.
7. Remove push nut (push nut is not reusable, a new one is in kit) from the right side of the rubber flap rod. Lay the rubber flap away from the right side so the cable can run between the flap and frame.
8. Route the cable from the seed gate between the bottom of the frame and the top of the rubber flap. See Figure 1.
9. Place seed box on unit, replace bearing with eccentric collar to the outside. The screws that attach the seedbox to the frame **MUST** have washers inside the seedbox on the screws. **DO NOT** overtighten and smash plastic, snug-up **ONLY**. See Figure 2.

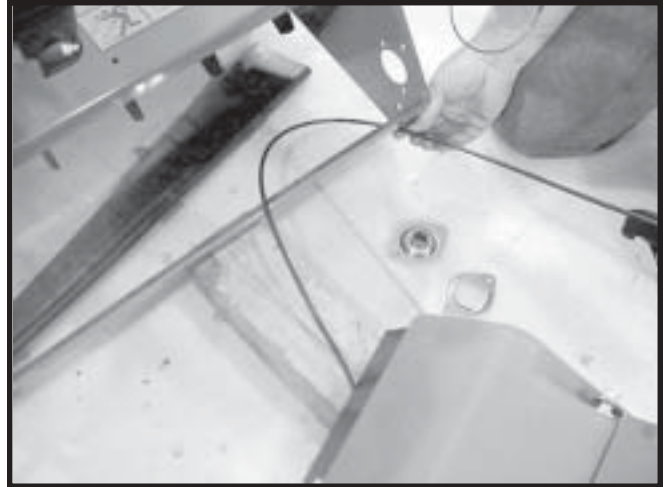


FIGURE 1



FIGURE 2

NOTE: Do not tighten hardware on the bearings until the axle is installed.

10. Re-attach rubber flap rod with push nut to the frame being sure cable is routed above flap rod. See Figure 3



FIGURE 3

11. Using two (2) wire ties attach cable to the frame. See Figure 4.



FIGURE 4

12. Place agitators in the seed box with screw holes toward the center.
13. Make sure locking collar is on the axle then thread the axle through the side of the box and through the agitators in seed box.
14. Rotate axle to line up the holes with the agitators holes. Using the self-tapping screws attach the agitators to the rear axle. See Figure 5.



FIGURE 5

15. Center agitators in seed box and tighten bearing locking collars. Use punch to tighten the collar then tighten the set screw. Repeat for the other side.

16. Slide wheel on and apply two (2) retaining rings.

NOTE: The teeth on the retaining rings should point away from the wheel.

17. Tighten the bearing bolts.

18. Attach the control cable to the inside of the upper handle in the holes provided.

19. Apply ON/OFF decal to the handle. See Figure 6.

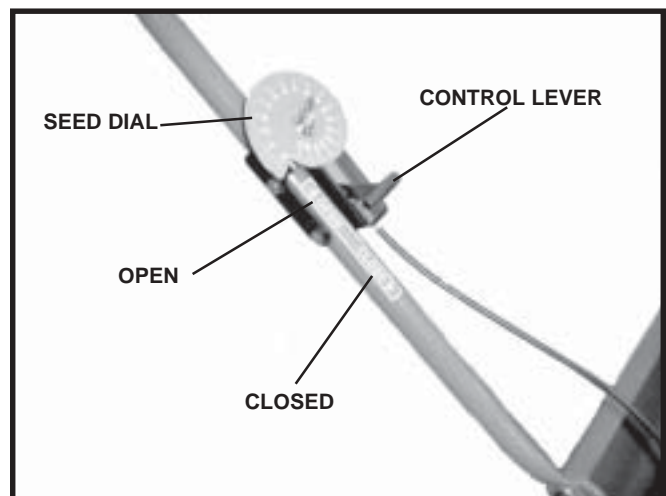


FIGURE 6

20. Attach the cable with a wire tie farther up the handle. See Figure 7.



FIGURE 7

21. Check adjustment of the cable by tipping unit forward and making sure when the control lever is in the closed position that the seed gate is fully closed. If the seedgate needs adjusting, loosen the screw and nut holding the cable clamp. Move the cable back or forward in the clamp until the seedgate is closed when the control lever is closed. DO NOT move the seedgate with your hand, use the cable to move the gate for more accurate adjustment.
22. To check the seed dial adjustment, insert a 1/8" drill bit into one of the holes in the seed gate, the seed dial should read 3 1/2. If not, adjust the cable by loosening the screw and nut holding the cable clamp. Move the cable back or forward in the clamp until the seed dial reads 3 1/2.

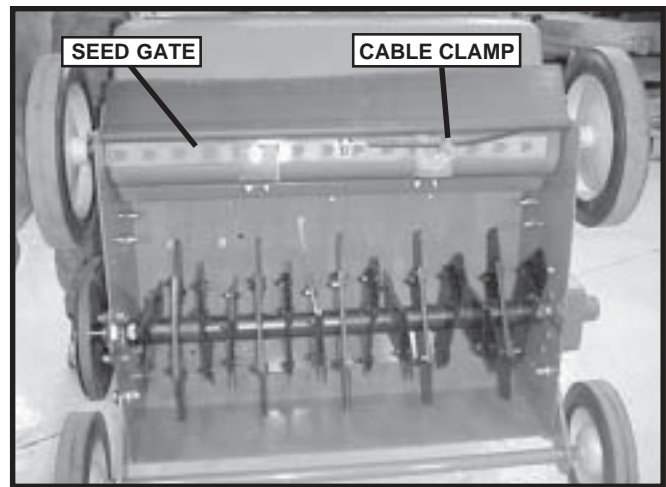


FIGURE 8

23. Make sure the cable moves freely, NEVER kink the cable.
24. Check the unit to see if it functions properly.

SEEDER ASSEMBLY

Instructions for the seeder

IMPORTANT INFORMATION

The equipment is only intended to sow grass seeds on lawns. All other use such as spreading lime or manure is incorrect and could damage the equipment.

General information

The seed hopper is mounted on the rear of the machine. The seeds are released with a lateral space of approximately 3.8 cm (1 1/2") after the blades have cut the soil.

Delta blades are recommended for seeding.

To avoid new grass growing in ugly rows, we recommend first sowing in one direction and then sowing at approximately 45° from the first sowing pass. With this method, the seed flow should be set at half of the recommended quantity for approximately 93 m² (1000 ft²).

The seeder does not remove the thatch layer. The thatch should be removed before beginning the seeding process. The seeds must be covered with soil to germinate.

Adjusting the seed hopper

A seed application chart is located on the back of the seed hopper. The seed dial is also located on the handle bar of the unit. Set the seed flow by loosening the wing nut, rotating the dial to the correct setting and tightening the wing nut. The seed control lever is located on the handle of the seeder.

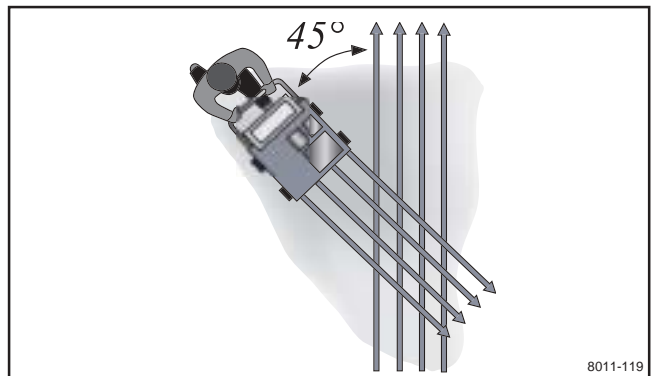
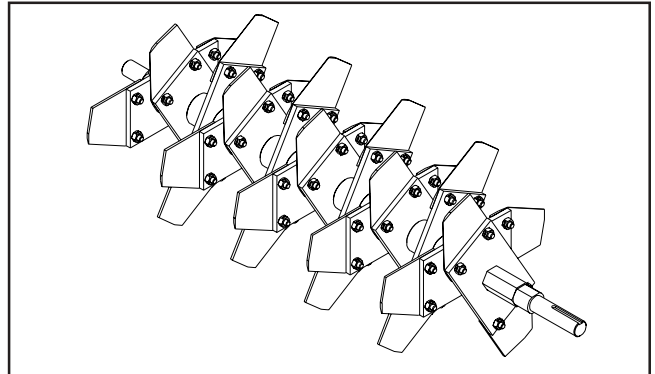
When the seed control lever is in open, the dial controls the degree that the seed gate can be opened. The flow of seed can be stopped with the seed control lever when turning and refilling seeds.

Maintenance

Make sure before use that the release holes for the seeds are not plugged with soil or similar.

Clean the equipment carefully after use.

Lubricate after cleaning to prevent corrosion. Lubricate joints and bearings and unpainted metal surfaces.



8011-119



WARNING!

Be careful of the muffler when opening the seed hopper lid as it can be very hot and cause burns.



P.O. Box 8
Beatrice, Nebraska 68310