

Operator's Manual



U.S. Patent No. 6,494,772

READ THIS MANUAL

This manual has important information for the use and safe operation of this machine. Read and understand this manual before starting this machine. Keep this manual. If you do not follow the instructions, you can cause personal injury or damage equipment.

For a copy of this manual:

Download from
www.u-sand.com
under Customer Help

**Save this manual
November 2014**

Contents

OPERATOR SAFETY INSTRUCTIONS.....	4
GROUNDING INSTRUCTIONS	5
EXTENSION CORDS.....	6
BACKER PAD/DUST SKIRT INSTALLATION	6
INSTRUCTIONS	7
TOOLS NEEDED	7
ROOM SETTING AND FLOOR CHECK	7
CHECKING CONDITIONS OF THE FLOOR	8
OPERATING THE U-SAND® EQUIPMENT	8
STARTING THE SANDING PROCESS	9
REMOVING THE DUST BAG:.....	10
ADJUSTING THE HANDLE POSITION.....	10
PROPER STORAGE OF THE POWER SUPPLY CORD	10
CLEANING AND STORAGE	10
US-146 Parts.....	11
US-Pro Parts	15
CONSIGNES DE SECURITE OPERATEUR	19
INSTRUCTIONS DE MISE.....	20
RALLONGES ÉLECTRIQUES	21
BACKER PAD / INSTALLATION JUPE POUSSIÈRE.....	21
INSTRUCTIONS	22
OUTILS NÉCESSAIRES	22
RÉGLAGE chambre et vérifier PLANCHER	22
CKING FLOOR	23
FONCTIONNEMENT DU U-SAND® ÉQUIPEMENT	23
DÉMARRAGE DU PROCESSUS DE SABLAGE	24
REGLAGE DE LA POSITION DE POIGNEE.....	25
STOCKAGE DU CORDON D'ALIMENTATION	25
NETTOYAGE ET STOCKAGE.....	25

INSTRUCCIONES PARA EL OPERADOR DE SEGURIDAD	26
INSTRUCCIONES DE CONEXIÓN A TIERRA.....	27
CABLES DE EXTENSIÓN.....	28
BACKER PAD / INSTALACION faldón	28
INSTRUCCIONES	29
HERRAMIENTAS NECESARIAS	29
SALA DE AJUSTE Y VERIFICACION DEL PISO	29
CONTROL DE CONDICIONES DE LA PLANTA.....	30
OPERACIÓN DE LA U-SAND ® EQUIPO	30
PUESTA EN MARCHA DEL PROCESO DE LIJADO	31
AJUSTE DE LA POSICIÓN MANGO	32
ALMACENAMIENTO CORRECTO DEL CABLE DE ALIMENTACIÓN	32
LIMPIEZA Y ALMACENAMIENTO	32
LIMITED WARRANTY	33

OPERATOR SAFETY INSTRUCTIONS

COMMERCIAL USE

For the safe operation of this machine, read and understand all warnings and cautions.

Look for this symbol:

“WARNING”: If you do not follow the instructions in a **WARNING**, injury can occur to you or to other personnel.

“CAUTION”: If you do not read and follow instructions **completely**, damage can occur to the machine.

WARNING: You must be qualified for the operation of this machine before using it.
READ THE INSTRUCTION MANUAL.

WARNING: Machines can cause flammable materials and vapors to burn. Do not use this machine with or near matches, fuels, grain dust, solvents, thinners, or other flammable materials.

WARNING: Do not use on wet surfaces.

WARNING: Risk of explosion. Floor sanding can result in an explosive mixture of fine dust and air. Use floor sanding machine only in a well-ventilated area.

WARNING: Do not allow machine to be used as a toy. Close attention is Necessary when used by or near children.

WARNING: Use only as described in this manual. Use only manufacturer's recommended attachments.

WARNING: Do not use with damaged cord or plug. If machine is not working as it should, has been dropped, damaged, left outdoors, or dropped into water, return it to the rental center.

WARNING: Do not leave machine when plugged in. Unplug from outlet when not in use and before servicing.

WARNING: Do not pull or carry by cord, use cord as a handle, close a door on cord, or pull cord around sharp edges or corners. Do not run appliance over cord. Keep cord away from heated surfaces.

WARNING: Do not unplug by pulling on cord. To unplug, grasp the plug, not the cord.

WARNING: To prevent injury, always remove the electrical plug from the electrical outlet before changing the sandpaper, emptying the bag, leaving the machine, or doing any maintenance to this machine.

WARNING: Do not handle plug or machine with wet hands.

WARNING: Do not put any object into vacuum openings. Do not use with any opening blocked; keep free of dust, lint, hair, and anything that may reduce air flow.

WARNING: Keep hair, loose clothing, fingers, and all parts of body away from openings and moving parts.

WARNING: Turn off all controls before unplugging.

WARNING: Do not use machine to pick up flammable or combustible liquids, such as gasoline, or use in areas where they may be present.

WARNING: To prevent fire explosion when emptying the dust bag:

1. Remove the contents of the dust bag when the bag is 1/3 full.
2. Remove the contents of the dust bag each time you finish using the machine.
3. Do not put the contents of a dust bag into a fire.

WARNING: Do not use machine without proper dust bag. Black Bag with yellow writing and Fire Lock Logo US-VBAS14.

WARNING: To prevent damage to the power cable, do not let the sandpaper touch the power cable when the machine is running. Always lift the power cable over the machine.

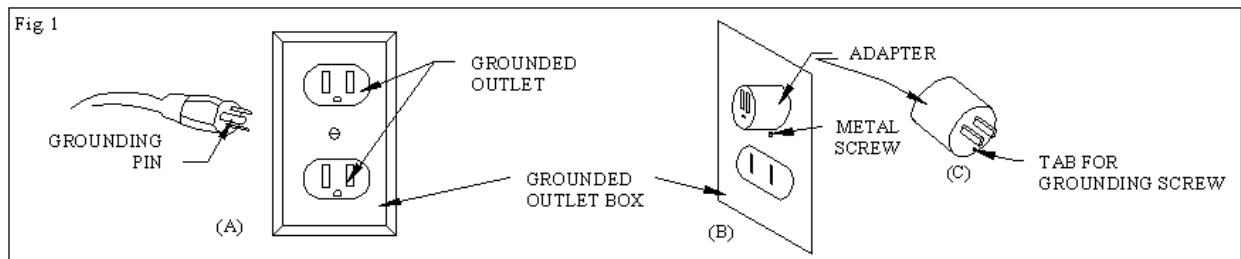
GROUNDING INSTRUCTIONS

This machine must be grounded. If it should malfunction or breakdown, grounding provides a path of least resistance for electric current to reduce the risk of electric shock. This machine is equipped with a cord having an equipment-grounding conductor and grounding plug. The plug must be inserted into an appropriate outlet that is properly installed and grounded in accordance with all local codes and ordinances.

WARNING: Improper connection of the equipment-grounding conductors can result in a risk of electric shock. Check with a qualified electrician or service person if you are in doubt as to whether the outlet is properly grounded. Do not, modify the plug provided with the machine-if it will not fit the outlet, have a proper outlet installed.

This machine is for use on a nominal 120-volt circuit, and has a grounded plug that looks like the plug illustrated in sketch A in Figure 1. A temporary adapter that looks like the adapter illustrated in sketches B and C may be used to connect this plug to a 2-pole receptacle as show in sketch B if a properly grounded outlet is not available. The temporary adapter should be used only until a qualified electrician can install a properly grounded outlet (sketch A). The green colored rigid ear, lug, or the like extending from the adapter must be connected to permanent grounds such as a properly grounded outlet box cover. Whenever the adapter is used, it must be held in place by a metal screw.

Note: In Canada, use of a temporary adapter is not permitted by the Canadian Electrical Code



WARNING: Always use this machine with an AC three conductor electrical system connected to the electrical ground. Replace any worn, cut, or damaged cords. Replace damaged plugs, receptacles or connector bodies.

WARNING: Do not cut, remove or break the ground terminal. Do not try to fit a three-terminal plug into a receptacle or connector body that does not fit the plug. If the receptacle or connector body does not fit the plug, have a qualified electrician make the connection.

WARNING: Do not move the machine over an electrical cord. Always lift the cord over the machine.

WARNING: To reduce the risk of electrocution, keep all connections dry and off the ground. Do not touch the plug with wet hands.

EXTENSION CORDS

Use only 3-wire extension cords that have 3-prong grounding-type plugs and 3-pole cord connectors that accept the plug from the product. Use only extension cords that are intended for extra-hard service. These extension cords are identified by a marking such as “S, SO, ST, or STO”. Use only extension cords having an electrical rating no less than the rating of the product. DO not use damaged extension cords. Examine the extension cords before using, and replace if damaged. Do not damage the extension cord and do not pull on any cord to disconnect. Keep the cord away from heat and sharp edges. Always disconnect the extension cord from the receptacle before disconnecting the product from the extension cord.

BACKER PAD/DUST SKIRT INSTALLATION

1. Use $\frac{3}{4}$ " open end wrench to hold lower shaft and turn backer pad clockwise to install.
2. HAND TIGHTEN ONLY!
3. Set machine upright on floor.
4. Attach the removable part of the dust skirt (US115-146) to the lower part of the deck plate so that the skirt just touches the floor. (if not properly installed the vacuum system may not operate to its full potential).



INSTRUCTIONS

WARNING:

1. Make sure the Sander switch is in the OFF position before you plug the unit in.
2. Never change the sandpaper while the sander is plugged in.
3. Check breaker circuit to be used, 20 amp is the minimum required.
4. Always wear eye protection, ear protection and dust mask while operating the sander.
5. Empty the vacuum system in an area away from flammable materials and flame or fire.

TOOLS NEEDED

1. Hammer
2. Pry bar; to remove trim
3. Paint scraper; to scrape corners and hard to reach places.
4. Nail set
5. Vacuum system; using a 1.5" ID vacuum hose to collect dust created by sanding process.
6. Plastic draping; to cover and isolate work areas.
7. Masking tape
8. Wood filler
9. Mineral spirits and or tack cloths; to remove fine dust particle prior to coating floor with finish.

ROOM SETTING AND FLOOR CHECK

1. Remove all existing furniture, carpets, floor mats, clutter, and curtains from the area to be sanded. Sweep the floor thoroughly.
2. Remove all nails, and metal fasteners that protrude from the surface to be sanded. These items may damage sanding pads, sandpaper or prevent effective sanding.
3. Check for cracks and niches in the area to be sanded and repair damaged areas. Excessive damage may be repaired with wood filler (allow sufficient drying time). Follow wood filler manufacture instructions for use.
4. Put dust protection on all doorways and heat vents in the form of drop cloths and plastic sheets. Vacuum the room thoroughly.

CHECKING CONDITIONS OF THE FLOOR

Check for condition of floor using one of the following tests and follow appropriate directions:

Wax Floor:

Place a damp cloth (approx. 18" x 18") on the floor. Lift after an hour and check for any cloudy coloration. A white cloudy coloration indicates wax. In this case, strip the wax using a wax stripper before sanding is attempted. Excess wax will clog the sandpaper.

Painted Floor:

Chemically remove paint before attempting to sand floor.

Varnished Floor:

U-Sand® equipment will remove most kinds of varnish. Excessive layers of varnish, however, may require chemical removal before attempting to sand the floor.

Unfinished Floor:

Start the sanding process with the least aggressive grit as possible, progressing to the finer grits of sandpaper ranging from 24 grit (the most aggressive/coarse) 36, 40, 60, 80, 100, 120 grit (less aggressive, coarse). Etc.

OPERATING THE U-SAND® EQUIPMENT

WARNING: Always remove the electrical plug from the electrical outlet before installing and changing the sandpaper.

Select the paper to start:

Select the least aggressive grit as possible that removes the desired amount of surface. Too aggressive grits leave swirl marks that are difficult to remove with finer grits that will be used later. Grits that are not aggressive enough do not take enough of the surface off and result in more work and a slower process

Installing Paper:

Sandpaper should be installed by leaning the machine back and placing the sandpaper on the backer pads (BP6).

Changing Sandpaper:

Paper should be changed when you notice less pull when running the equipment and see less material being removed by the process (10-15 minutes).

CAUTION: To prevent damage to backer pads, you must change sandpaper when it becomes loaded or clogged.

STARTING THE SANDING PROCESS

Before operating the machine, make sure the handle adjusting lever is tight.

Empty the vacuum system when full into a metal canister away from your workspace and other Flammable materials (this may need done several times during the process).

Remove the vacuum system from the unit when not in use and empty contents as instructed above.

STEP 1:

Determine the condition of the floor. We recommend starting with 36 grit (24 grit for severely damaged or heavy polyurethane floors). Lean the machine back on its handle. Attach the sandpaper to the backer pads. Sandpaper usage will depend on the finish to remove, and the amount of wood that needs to be removed.

STEP 2:

With the U-Sand® equipment in the upright position, turn the switch on and slowly move the sander over the floor, letting the machine do the work for you. For new installation it is recommended to move the machine across the grain, this is the most effective way to level the floor. (change sandpaper when it appears plugged or dull).

Proper Grit Sequence:

- 24 if needed
- 36 for leveling
- 40 sand thoroughly
- 80 final sanding and clear finish
- 120 recommended for staining

STEP 3:

After sanding the floor completely, with the first grit, vacuum the floor thoroughly and change paper to the next finer grit. Continue the sanding process. Check paper after sanding about a 10' x 10' area to see that the paper is still sanding. Inspect the floor to see if any swirl marks remain. If swirl marks exist, continue to sand just the area with the higher grit paper until they are less visible. You should get down close to the floor and view it from several directions in good light for this inspection.

STEP 4:

Use progressively higher grits. Sand the floor completely. This step will take less time than the previous grits. Check sandpaper often to make sure it is clean and effective.

STEP 5:

Inspect the floor thoroughly for scratches or unevenness. Apply the final finishing grit (usually 120 or 180 grit). At this point, the floor should become smooth and free of all swirl marks when inspected closely.

STEP 6:

Corners and edges and be sanded with a detail sander or hand scraper. A paint scraper can be used for hard to reach areas, such as: under radiators, and in corners. Some hand sanding may be necessary in these remove places. Inspect the floor thoroughly to determine when you are finished sanding.

STEP 7:

Vacuum the floor and clean with a tack cloth (available at your local hardware store). Then apply stain or varnish as desired. Follow manufacturer's recommendations for staining and finishing.

STEP 8:

WARNING: Machines can cause Flammable materials and vapors to burn. Do not use this machine with or near matches, fuels, grain dust, solvents, thinners, or other flammable materials.

WARNING: To prevent injury always remove the electrical plug from the electrical outlet before changing the Sandpaper, emptying the bag, leaving the machine, or doing any maintenance to this machine.

REMOVING THE DUST BAG:

Unlock the Velcro straps and then remove the dust tube from blower. Empty the bag into a metal or non-flammable container away from your work area. **DO NOT LEAVE DUST BAG ON THE UNIT WHEN NOT IN USE.** Remove from machine when not in use for two (2) minutes or more and store in a metal container away from flammable objects. **DO NOT TRANSPORT MACHINE WITH DUST BAG ATTACHED.** Remove from unit, empty and carry separately.

ADJUSTING THE HANDLE POSITION

Loosen the black knob (US146-146) and then adjust the handle position as desired. Tight the black knob once adjusted.

PROPER STORAGE OF THE POWER SUPPLY CORD

Wrap the power cord around the frame of the machine for storage. Then, adjust the handle to the lowest position and store machine in and upright position.



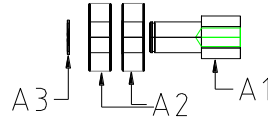
CLEANING AND STORAGE

Remove the dust system from the unit. Discard contents away from work area in a non-flammable area. Wipe the exterior of the unit with a damp cloth. Leave the last grit of sandpaper on the backer pads for transport and storage. This will protect the hook and loop of the backer pads.

US-146 Parts

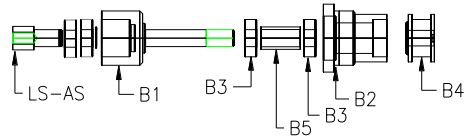
U-SAND FLOOR SANDER
US-146 MODEL
PARTS LIST
November 2014

LS-AS LOWER SHAFT ASSEMBLY



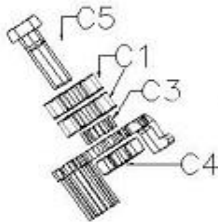
- A1 Lower Shaft (US104-146) (1)
- A2 Bearings (HW-BRG) (2)
- A3 Snap Ring (HW-ESR) (1)

SP-AS SPINDLE ASSEMBLY



- LS-AS (1)
- B1 Main Shaft (US103-146) (1)
- B2 Spindle Housing (US101-146) (1)
- B3 Bearings (HW-BRG) (2)
- B4 Spindle Pulley (US106-146) (1)
- B5 Upper Shaft Bearing Spacer (US105-146-7) (1)

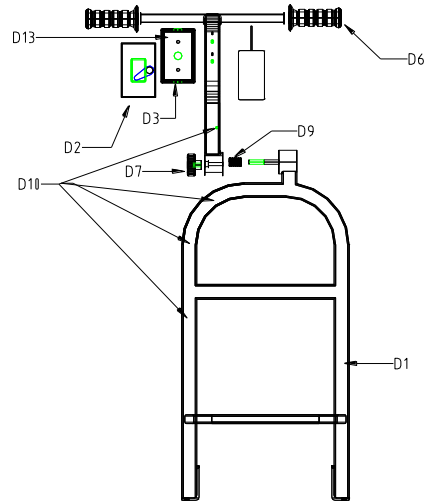
BT-AS BELT TENSION ASSEMBLY



- C1 Bearing (HW-BRG) (2)
- C3 Belt Tension Sub (US-148) (1)
- C4 HW-HCS5/8 (1)
- C5 HW-HN11 (1)

U-SAND FLOOR SANDER
 US-146 MODEL
 PARTS LIST
 November 2014

HA-AS HANDLE ASSEMBLY



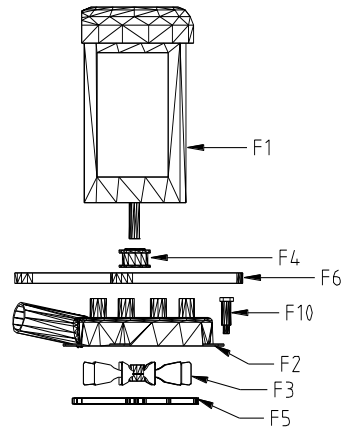
- D1 Handle Unit Sub (HAAS1)
- D2 Switch (US119-146-7SWITCH) (1) AND
Cover (US119-146-7COVER) (1)
- D3 Switch Box (US120-146) (1)
- D4 43" Yellow Cord (PC-146B)-not shown
- D5 17" Yellow Cord (PC-146-MLP) (1)-not shown
- D6 Rubber Grips (US114-146) (2)
- D7 Knob for handle pivot (US142-146) (1)
- D8 Cord Restraint (US134-146) (2)-not shown
- D9 1" spring (HW-SP1) (1)
- D10 Motor Clamp (HW-1/2 RL Clamp) (4)
- D11 Cap Screws (HW-HWSL) (6)
- D12 Wire Nuts (HW-WN) (1)
- D13 Spade for Elec Box (HW-SPADE) (1)
- D14 25' Yellow Cord (PC-146-FLP) (1)-not shown
 - BB PC-L515R Female end 110V
 - CC PC-L515P Male end 110V

US-VBAS14 FL VACUUM BAG ASSEMBLY

- E1 FL Vacuum Bag (US-BAG14) (1)
- E2 Vacuum hose/clamp set (US-H/CL14) (1)

U-SAND FLOOR SANDER
US-146 MODEL
PARTS LIST
November 2014

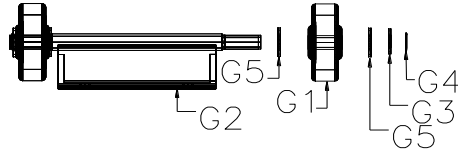
MT-AS MOTOR ASSEMBLY



- F1 1.5 HP Motor (Motor 1.5HP) (1)
- F2 Fan Housing (US103-146) (1)
- F3 Impeller/Hub (MT-AS1) (1)
- F4 Motor Pulley (US116-146) (1)
- F5 Gasket (US-152) (1)
- F6 Belt (PCB-146) (1)
- F7 Cap Screw-Blower/Motor (HW-CS3/8) (4)
- F8 Cap Screw-Impeller (HW-CS5/16) (1)
- F9 Pulley Set Screw (HW-SS) (1)
- F10 Spring Bolt-Blower (HW-3/8 Spring Bolt) (1)
- F11 Wire Nuts (HW-WN) (5)

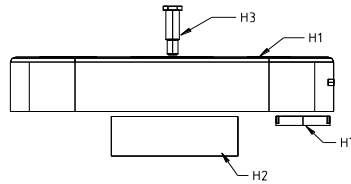
U-SAND FLOOR SANDER
 US-146 MODEL
 PARTS LIST
 November 2014

WH-ASP WHEEL ASSEMBLY



- G1 3.5" Wheels (WH-146P) (2)
- G2 Wheel Bracket/Axle (Wh-AS1) (1)
- G3 Wave Spring (HW-WS) (2)
- G4 External Snap Ring (HW-ESR) (2)
- G5 Flat Washer (HW-W1) (4)

DP-AS DECK PLATE



- H1 Base Plate (CH101-146) (1)
- H2 Counter Weight (US132-146) (1)
- H3 Belt Tension Bolt (US-150) (1)
- H4 Hex Cap Screw (HW-HCS) (2)
- H5 Dust Skirt Attached (US115-146B) (1)
- H6 Lock Washer (HW-LW) (2)
- H7 Spindle Housing Nut (US102-146) (4)

US-146 SANDER

- I1 Nuisance Tag (US-143) (1)
- I2 UL Listed Tag (US-145) (1)
- I3 American Flag (LABL-FLAG) (1)
- I4 Rivets (HW-RVT) (10)
- I5 Orange Bag Safety (US148) (1)
- I6 Belt Cover (CH02-146) (1 set 2 pc)
- I7 Motor Clamps Cap Screws (HW-CS1/4) (6)
- I8 Flat Washer (HW-FW/16) (6)
- I9 Lock Nut-Motor (HW-CLN) (1)
- I10 Cord Restraint (US134-146) (1)
- I11 Flat Washer (HW-FW3/8) (4)
- I12 spring (HW-SP3/4) (2)

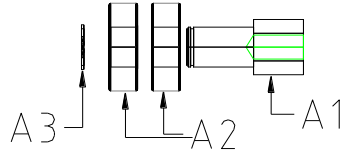
ACCESSORY ITEMS US-146

- J13 Dust Skirt (US115-146) (1)
- J14 Backer Pads (BP6) (4)

US-Pro Parts

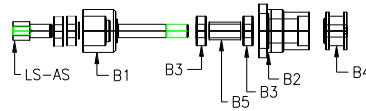
U-SAND FLOOR SANDER
US-PRO MODEL
PARTS LIST
November 2014

LS-AS LOWER SHAFT ASSEMBLY



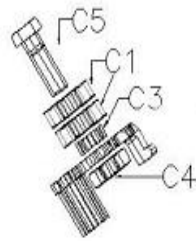
- A1 Lower Shaft (US104-146) (1)
- A2 Bearings (HW-BRG) (2)
- A3 Snap Ring (HW-ESR) (1)

SP-AS-C SPINDLE ASSEMBLY



- LS-AS (1)
- B1 Main Shaft (US103-146C) (1)
- B2 Spindle Housing (US101-146C) (1)
- B3 Bearings (HW-BRG) (1)
- B4 Spindle Pulley (US106-146) (1)
- B5 Upper Shaft Bearing Spacer (US104-146-7) (1)

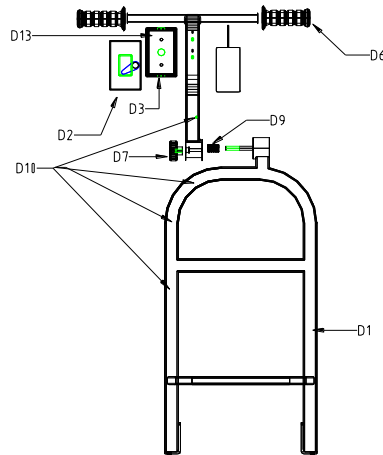
BT-AS BELT TENSION ASSEMBLY



- C1 Bearing (HW-BRG) (2)
- C3 Belt Tension Sub (US-148) (1)
- C4 HW-HCS5/8 (1)
- C5 HW-HN11 (1)

U-SAND FLOOR SANDER
 US-PRO MODEL
 PARTS LIST
 November 2014

HA-AS-C HANDLE ASSEMBLY



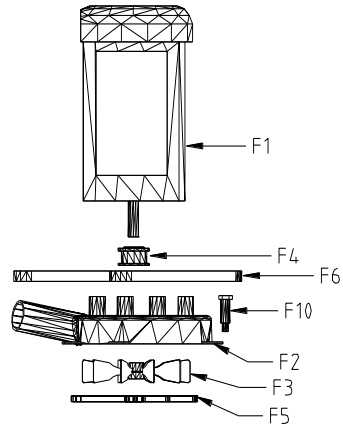
- D1 Handle Unit Sub (HAAS1C)
- D2 Switch (US119-146-7switch) (1) and
Cover (US119-146-7cover) (1)
- D3 Switch Box (US120-146-7) (1)
- D4 43" Grey Cord (PC-146C)-not shown
- D5 17" Grey Cord (PC-146-MLPC) (1)-not shown
- D6 Rubber Grips (US114-146) (2)
- D7 Knob for handle pivot (US142-146) (1)
- D8 Cord Restraint (US134-146) (2)-not shown
- D9 1" spring (HW-SP1) (1)
- D10 Motor Clamp (HW-1/2 RL Clamp) (4)
- D11 Cap Screws (HW-HWSL) (6)
- D12 Wire Nuts (HW-WN) (1)
- D13 Spade for Elec. Box (HW-SPADE) (2)
- D14 25' Grey Cord (PC-146-FLPC) (1)-not shown
 - BB PC-L515R Female end 110V
 - CC PC-L515P Male end 110V

US-VBAS14 FL VACUUM BAG ASSEMBLY

- E1 FL Vacuum Bag (US-BAG14) (1)
- E2 Vacuum hose/clamp set (US-H/CL14) (1)

U-SAND FLOOR SANDER
US-PRO MODEL
PARTS LIST
November 2014

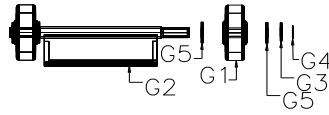
MT-AS-CMOTOR ASSEMBLY



- F1 1.5 HP Motor (Motor 1.5HP-C) (1)
- F2 Fan Housing (US103-146) (1)
- F3 Impeller/Hub (MT-AS1) (1)
- F4 Motor Pulley (US116-146) (1)
- F5 Gasket (US-152) (1)
- F6 Belt (PCB-146) (1)
- F7 Cap Screw-Blower/Motor (HW-CS3/8) (4)
- F8 Cap Screw-Impeller (HW-CS5/16) (1)
- F9 Pulley Set Screw (HW-SS) (1)
- F10 Spring Bolt-Blower (HW-3/8 Spring Bolt) (1)
- F11 Wire Nuts (HW-WN) (5)

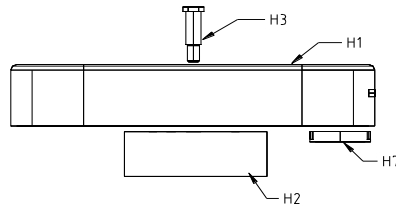
U-SAND FLOOR SANDER
 US-PRO MODEL
 PARTS LIST
 November 2014

WH-ASP WHEEL ASSEMBLY



- G1 3.5" Wheels (WH-146P) (2)
- G2 Wheel Bracket/Axle (Wh-AS1) (1)
- G3 Wave Spring (HW-WS) (2)
- G4 External Snap Ring (HW-ESR) (2)
- G5 Flat Washer (HW-W1) (4)

DP-AS-C DECK PLATE



- H1 Base Plate (CH101-146-C) (1)
- H2 Belt Tension Bolt (US-150) (1)
- H3 Hex Cap Screw (HW-HCS) (2)
- H4 Dust Skirt Attached (US115-146B) (1)
- H5 Lock Washer (HW-LW) (2)
- H6 Spindle Housing Nut (US102-146) (4)

US-PRO SANDER

- I1 Nuisance Tag (US-143) (1)
- I2 UL Listed Tag (US-145) (1)
- I3 American Flag (LABL-FLAG) (1)
- I4 Rivets (HW-RVT) (10)
- I5 Orange Bag Safety (US148) (1)
- I6 Belt Cover (CH02-146C) (1 set 2 pc)
- I7 Motor Clamps Cap Screws (HW-CS1/4) (6)
- I8 Flat Washer (Hw-FW/16) (6)
- I9 Lock Nut-Motor (HW-CLN) (1)
- I10 Cord Restraint (US134-146) (1)
- I11 Flat Washer (HW-FW3/8) (4)
- I12 spring (HW-SP3/4) (2)

ACCESSORY ITEMS US-146

- J13 Dust Skirt (US115-146) (1)
- J14 Backer Pads (BP6) (4)

CONSIGNES DE SECURITE OPERATEUR

Pour le bon fonctionnement de cette machine, lire et comprendre tous les avertissements et mises en garde.

Recherchez ces mots:

AVERTISSEMENT: Si vous ne suivez pas les instructions dans un AVERTISSEMENT, des blessures peuvent survenir à vous ou à d'autres personnels.

AVERTISSEMENT: Si vous ne lisez pas et suivez les instructions complètement, des dommages peuvent survenir à la machine.

AVERTISSEMENT: Vous devez être qualifié pour le fonctionnement de cette machine avant de l'utiliser.

LIRE LE MODE D'EMPLOI.

AVERTISSEMENT: Les machines peuvent provoquer des matériaux et les vapeurs inflammables à brûler. Ne pas utiliser cette machine avec ou près des allumettes, des carburants, des céréales, la poussière, les solvants, diluants, ou d'autres matériaux inflammables.

AVERTISSEMENT: Ne pas utiliser sur des surfaces mouillées.

AVERTISSEMENT: Risque d'explosion. Ponçage du sol peut entraîner un mélange explosif de poussières fines et de l'air. Utiliser un équipement de sablage de plancher uniquement dans un endroit bien ventilé.

AVERTISSEMENT: Utilisez uniquement comme décrit dans ce manuel.

AVERTISSEMENT: Ne pas utiliser avec un cordon ou une fiche endommagé. Si la machine ne fonctionne pas comme il se doit, a été endommagé, laissé à l'extérieur, ou s'il est tombé dans l'eau, le retourner au centre de location.

AVERTISSEMENT: Ne laissez pas la machine quand il est branché po Débrancher l'appareil lorsqu'il n'est pas utilisé et avant l'entretien. Enlever le système de vide de l'unité lorsqu'il n'est pas utilisé.

AVERTISSEMENT: Ne pas tirer ou transporter par le cordon, utiliser le cordon comme une poignée, fermer une porte sur le cordon, ni tirer le cordon autour des bords pointus ou des coins. Ne pas faire fonctionner l'équipement sur le cordon. Garder le cordon loin des surfaces chauffées.

AVERTISSEMENT: Ne pas débrancher en tirant sur le cordon. Pour débrancher, saisir la fiche et non le cordon.

AVERTISSEMENT: Pour éviter les blessures, toujours retirer la fiche électrique de la prise électrique avant de changer le papier de verre, de retirer la pièce jointe vide, laissant la machine, ou de faire l'entretien de la machine.

AVERTISSEMENT: Ne pas manipuler la prise ou à la machine avec les mains mouillées.

AVERTISSEMENT: Ne pas utiliser avec une ouverture bloquée: garder libre de poussière, les peluches, les cheveux, et tout matériel qui réduit le débit d'air.

AVERTISSEMENT: Garder les cheveux, les vêtements amples, les doigts et toutes les parties du corps à l'écart de l'ouverture et de pièces en mouvement.

AVERTISSEMENT: Eteindre toutes les commandes avant de débrancher la machine.

AVERTISSEMENT: Ne pas utiliser la machine pour ramasser des liquides inflammables ou combustibles comme l'essence, ou d'utiliser dans les zones où ils peuvent être présents.

AVERTISSEMENT: Pour éviter d'endommager le cordon d'alimentation, ne laissez pas le papier de verre toucher le cordon d'alimentation lorsque la machine est en marche. Toujours soulever le cordon d'alimentation de la machine.

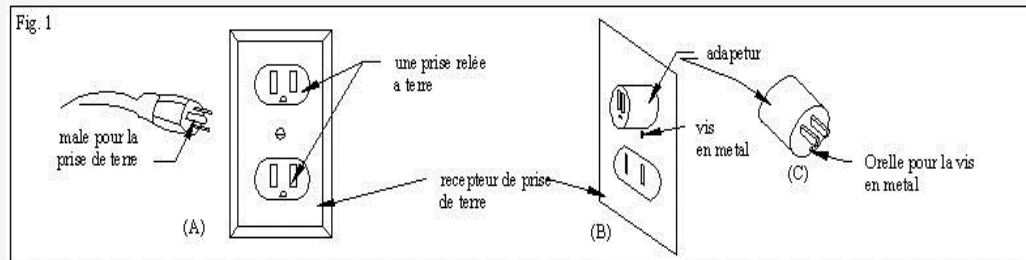
INSTRUCTIONS DE MISE

Cette machine doit être mise à la terre. En cas de dysfonctionnement ou de panne, mise à la terre fournit un chemin de moindre résistance au courant électrique afin de réduire le risque de choc électrique. Cette machine est équipée d'un cordon comportant un conducteur de terre et prise de terre. La fiche doit être insérée dans une prise appropriée qui est correctement installée et mise en conformité avec tous les codes locaux et ordonnances.

AVERTISSEMENT: Une mauvaise connexion des conducteurs équipement à la terre peut entraîner un risque de choc électrique. Vérifier avec un électricien qualifié ou une personne de service si vous êtes dans le doute quant à savoir si la prise est correctement mise à la terre. Ne pas, modifier la fiche fournie avec la machine-si elle n'entre pas dans la prise, faites installer une prise adéquate.

Cette machine est pour une utilisation sur un nominal de 120 volts du circuit, et dispose d'une prise de terre qui ressemble à la fiche illustrée par le croquis A de la figure 1. Un adaptateur temporaire qui ressemble à l'adaptateur illustré dans les esquisses B et C peuvent être utilisés pour connecter cette fiche à une prise à 2 pôles comme le montrent les croquis en B si une prise de terre n'est pas disponible. L'adaptateur temporaire ne doit être utilisé uniquement par un électricien qualifié. Vous pouvez installer une prise correctement mise à la terre (croquis A). Le vert oreille rigide de couleur, patte, ou analogue s'étendant de l'adaptateur doit être connecté à des motifs permanents tels que la terre la boîte de sortie c plus. Chaque fois que l'adaptateur est utilisé, il doit être maintenu en place par une vis en métal.

Remarque: Au Canada, l'utilisation d'un adaptateur temporaire n'est pas autorisée par le Code canadien de l'électricité



AVERTISSEMENT: Toujours utiliser cette machine avec un système de climatisation à trois conducteurs, relié à la masse électrique. Remplacez tout usé, coupé, ou les cordons endommagés. Remplacer les bougies endommagées, récipients ou corps de connecteur.

AVERTISSEMENT: Ne pas couper, enlever ou couper la borne de terre. Ne pas essayer d'adapter une fiche à trois-terminal dans un récipient ou d'un organisme connecteur qui ne correspond pas à la fiche. Si le récipient ou corps du connecteur ne pas insérer la fiche, demandez à un électricien qualifié établir la connexion.

AVERTISSEMENT: Ne déplacez pas la machine sur un cordon électrique. Soulevez toujours le câble de la machine.

AVERTISSEMENT: Pour réduire le risque d'électrocution, gardez toutes les connexions au sec et hors du terrain. Ne touchez pas la fiche avec les mains mouillées.

RALLONGES ÉLECTRIQUES

Utilisez uniquement des rallonges à 3 fils qui ont 3-prog à la terre de type fiches et connecteurs de cordons 3-pôles qui acceptent la fiche du produit. Utilisez uniquement des rallonges qui sont destinés à des services extra-dur. Ces rallonges sont identifiées par un tel marquage «S, SO, ST, ou STO». Utilisez uniquement des rallonges ayant une puissance électrique pas moins que la note du produit. NE pas utiliser de rallonges endommagées. Examiner les rallonges avant d'utiliser, et de remplacer s'il est endommagé. Ne pas endommager le cordon de rallonge et ne tirez pas sur n'importe quel cordon pour le débrancher. Gardez le cordon loin des bords de la chaleur et forte. Toujours débrancher la rallonge de la prise avant la déconnexion du produit de l'extension cordon.

BACKER PAD / INSTALLATION JUPE POUSSIÈRE

1. Utilisez $\frac{3}{4}$ "clé à fourche de tenir l'arbre inférieur et tourner dans le sens horaire bailleleur pad à installer.
2. Serrer qu'à la main!
3. Régler la machine en position verticale sur le sol.
4. Attacher la partie amovible de la jupe de la poussière (US115-146) à la partie inférieure de la plaque de pont de telle sorte que la jupe touche le sol. (s'il n'est pas correctement installé le système d'aspiration peut ne pas fonctionner à son plein potentiel).



INSTRUCTIONS

AVERTISSEMENT:

1. Assurez-vous que le commutateur Sander est en position OFF avant de brancher l'unité po
2. Ne jamais changer le papier de verre lorsque la ponceuse est branché po
3. Vérifiez le disjoncteur doit être utilisé, 20 ampères est le minimum requis.
4. Toujours porter des lunettes de protection, protège-oreilles et un masque de poussière pendant le fonctionnement de la ponceuse.
5. Vider le système de vide dans un endroit éloigné des matières inflammables et des flammes ou d'incendie.

OUTILS NÉCESSAIRES

1. marteau
2. Un levier; pour enlever garniture
3. Peindre racleur; pour gratter les coins et endroits difficiles à atteindre.
4. Nail mis
5. Passer à l'aspirateur le système ; utilisant un 1,5" tuyau de vide d'ID pour recueillir de la poussière créée par le processus de sanding.
6. Drapage en plastique; pour recouvrir et isoler les zones de travail.
7. Le ruban de masquage
8. remplissage bois
9. Essences minérales ou de chiffons et d'accrochage, d'éliminer les particules de poussière fine avant au plancher avec une finition de revêtement.

RÉGLAGE chambre et vérifier PLANCHER

1. Retirez tous les meubles existant, tapis, tapis de sol, l'encombrement, et les rideaux de la zone à être sablé. Balayer soigneusement le sol.
2. Retirez tous les clous, et attaches en métal qui dépassent de la surface à poncer. Ces articles peuvent endommager patins de ponçage, papier de verre ou de prévenir ponçage efficace.
3. Vérifiez les fissures et les niches dans le domaine à poncer et réparer les zones endommagées. Dommages excessifs peuvent être réparés avec du mastic bois (laisser suffisamment de temps de séchage). Suivez les instructions de remplissage en bois de fabrication pour l'utilisation.
4. Déposer la protection de la poussière sur toutes les portes et les événements de chaleur sous la forme de toiles et de bâches en plastique. Passez l'aspirateur sur la chambre à fond.

CKING FLOOR

Vérification des conditions du sol Vérifier l'état du sol à l'aide l'un des tests suivants et suivez les instructions appropriées:

Cire à plancher:

Placez un chiffon humide (environ 18 "x 18") sur le sol. Soulevez après une heure et vérifiez toute coloration trouble. Une coloration blanche trouble indique la cire. Dans ce cas, enlever la cire à l'aide d'une strip-teaseuse de cire avant de poncer est tenté. L'excès de cire va se boucher le papier de verre.

Peintes Plancher:

Chimiquement enlever la peinture avant de tenter de sol de sable.

Étage verni:

U-Sand ® matériel peut éliminer la plupart des types de vernis. Couches de vernis excessifs, peuvent toutefois exiger l'élimination chimique avant de tenter de sable au sol.

Étage inachevé:

Démarrer le processus de ponçage avec la granulation la moins agressive possible, évoluant vers les grains plus fins de papier de verre grain allant de 24 (le plus agressif / grossière) 36, 40, 60, 80, 100, 120 grains (moins agressif, grossier). Etc

FONCTIONNEMENT DU U-SAND ® ÉQUIPEMENT

AVERTISSEMENT: Toujours débrancher la fiche électrique de la prise électrique avant d'installer et changer le papier de verre.

Sélectionnez le papier pour commencer:

Sélectionner au moins l'abrasif agressive que possible qui supprime la quantité désirée de la surface. Gruau trop agressif laisser des marques de remous qui sont difficiles à éliminer avec grains plus fins qui seront utilisés plus tard. Grits qui ne sont pas assez agressifs ne prennent pas assez de la surface de décollage et se traduire par plus de travail et un processus plus lent

Installation du papier:

Papier de verre doit être installé par la machine se penchant en arrière et de placer le papier de verre sur les remblais de bailleur de fonds (BP6).

Changement de papier de verre:

Le papier doit être changé quand vous remarquez moins tirer lors de l'exécution de l'équipement et de voir moins de matière étant éliminé par le processus (10-15 minutes).

ATTENTION: Pour éviter d'endommager plaquettes de clouage, vous devez changer du papier de verre quand il devient chargé ou bouché.

DÉMARRAGE DU PROCESSUS DE SABLAGE

Avant de faire fonctionner la machine, assurez-vous que le levier de réglage manche est serré. Vider le système de vide quand il est plein dans un contenant en métal à partir de votre espace de travail et d'autres Les matériaux inflammables (il faudra peut-être à plusieurs reprises au cours du processus). Retirez le système de vide de l'unité quand il n'est pas dans le contenu d'utilisation et vide comme indiqué ci-dessus.

ÉTAPE 1:

Déterminer l'état du sol. Nous recommandons regarder avec 36 grains (24 grains pour gravement endommagé ou les planchers polyuréthane lourds). Penchez-vous l'arrière de la machine sur sa poignée. Fixez le papier de verre pour l' tampons Backer. Utilisation du papier de verre dépendra de la finition pour enlever, et la quantité de bois qui doit à enlever.

ÉTAPE 2:

Avec le U-Sand® équipement en position verticale, tournez le commutateur sur et déplacer lentement la ponceuse sur le sol, laissant la machine faire le travail pour vous. Pour une nouvelle installation, il est recommandé de se déplacer la machine à travers le grain, c'est le moyen le plus efficace de niveler le plancher. (Papier de verre lorsque le changement il semble bouché ou ternes).

Séquence Grit correcte:

24 si nécessaire
36 pour le nivellement
40 sable soigneusement
80 ponçage final et la finition claire
120 recommandé pour la coloration

ETAPE 3:

Après le ponçage du sol complètement, avec le grain d'abord, passer l'aspirateur à fond et changer le papier à grain plus fin de la prochaine. Continuer le processus de ponçage. Consultez le journal après le ponçage à environ 10 pi x 10 pi région pour voir ce que le papier est encore le ponçage. Inspecter le plancher pour voir si des traces de frottement restent. Si des marques de remous existent, continuent à sable juste la zone avec du papier abrasif plus jusqu'à ce qu'ils soient moins visibles. Vous devez descendre au ras du sol et le voir sous plusieurs directions à la lumière bonne pour cette inspection.

ÉTAPE 4:

Utilisez grains progressivement plus élevés. Poncer le plancher complètement. Cette étape prendra moins de temps que les grains précédents. Vérifiez papier de verre souvent pour s'assurer qu'elle est propre et efficace.

ÉTAPE 5:

Inspectez soigneusement le sol des éraflures ou des irrégularités. Appliquer le grain de finition finale (généralement 120 ou 180 grains). À ce stade, le sol doit devenir lisse et exempt de toutes traces de frottement lors de l'inspection de près.

ETAPE 6:

Coins et les bords et être poncés avec une ponceuse de précision ou un grattoir à la main. Un grattoir à peinture peut être utilisée pour zones difficiles à atteindre, tels que: sous les radiateurs, et dans les coins. Certains ponçage à la main peut être nécessaire dans ces endroits annulez. Inspectez soigneusement le sol pour déterminer quand vous avez fini de poncer.

STEP 7:

Passez l'aspirateur sur le sol et le nettoyer avec un chiffon de dépoussiérage (disponible à votre quincaillerie locale). Puis appliquez la teinture ou du vernis comme vous le souhaitez. Suivez les recommandations du fabricant pour la coloration et la finition.

STEP 8 :

AVERTISSEMENT : les machines peuvent faire brûler les matériels inflammables et les vapeurs. Ne pas utiliser cette machine avec ou près d'allumettes, d'essences, de poussière de grains, de solvants, de décapants et d'autres matériels inflammables.

AVERTISSEMENT: pour prévenir les blessures, toujours enlever la fiche électrique de la prise électrique avant de changer le papier sablé, de vider le sac, de laisser la machine ou d'effectuer tout entretien sur cette machine.

POUR ENLEVER LE SAC À POUSSIÈRE :

Détacher la sangle Velcro et enlever le tube de poussière du souffleur. Vider le sac dans un contenant en métal ou non inflammable, loin de votre espace de travail. **NE PAS LAISSER LE SAC À POUSSIÈRE SUR L'APPAREIL LORSQU'IL N'EST PAS UTILISÉ.** Enlevez-le de la machine lorsqu'elle n'est pas utilisée depuis au moins deux (2) minutes et rangez-le dans un contenant en métal loin de tout objet inflammable. **NE PAS TRANSPORTER LA MACHINE AVEC LE SAC À POUSSIÈRE ATTACHÉ.** Enlevez-le de l'appareil. Videz-le et transporter séparément.

REGLAGE DE LA POSITION DE POIGNEE

Desserrer le bouton noir (US146-146), puis ajuster la position de la poignée comme vous le souhaitez. Tight le bouton noir une fois ajusté.

STOCKAGE DU CORDON D'ALIMENTATION

Enrouler le fil d'alimentation autour de l'armature de la machine pour le stockage. Ensuite, réglez la poignée à la position la plus basse et la machine et à stocker en position verticale.



NETTOYAGE ET STOCKAGE

Supprimer le système de la poussière provenant de l'unité. Jeter le contenu loin de la zone de travail dans une zone non-inflammable. Essuyez l'extérieur de l'unité avec un chiffon humide. Laissez le grain de papier de verre dernière sur les plages de clouage pour le transport et le stockage. Cela permettra de protéger le crochet et la boucle des plaquettes de clouage.

INSTRUCCIONES PARA EL OPERADOR DE SEGURIDAD

Para el funcionamiento seguro de este equipo, lea y comprenda todas las advertencias y precauciones. Busque estas palabras:

"ADVERTENCIA" Si usted no sigue las instrucciones de una ADVERTENCIA, las lesiones pueden ocurrir a usted o a otros miembros del personal.

"PRECAUCIÓN" Si usted no lea y siga las instrucciones en su totalidad, pueden producirse daños a la máquina.

ADVERTENCIA: Usted debe ser calificado para la operación de esta máquina antes de usarla.
LEA EL MANUAL DE INSTRUCCIONES.

ADVERTENCIA: Las máquinas pueden hacer que los materiales y vapores inflamables para quemar. No use esta máquina con o cerca de los partidos, combustibles, granos, polvo, solventes, diluyentes u otros materiales inflamables.

ADVERTENCIA: No use en superficies mojadas.

ADVERTENCIA: Riesgo de explosión. Pulido de suelos puede dar lugar a una mezcla explosiva de polvo fino y el aire. Use el equipo de piso lijado sólo en un área bien ventilada.

ADVERTENCIA: Utilice sólo como se describe en este manual.

ADVERTENCIA: No utilice si el cable o enchufe dañado. Si la máquina no está funcionando como debería, se ha caído, dañado, dejado afuera, o se ha caído al agua, volverá al centro de alquiler.

ADVERTENCIA: No deje la máquina cuando enchufado. Desenchufe del tomacorriente cuando no esté en uso y antes de limpiarla. Eliminar el sistema de vacío de la unidad cuando no está en uso.

ADVERTENCIA: No tire ni transporte del cable, ni use el cordón como un mango, no cierre la puerta sobre el cable, ni tire del cordón alrededor de bordes afilados o esquinas. No haga funcionar el equipo sobre el cordón. Mantenga el cable lejos de superficies calientes.

ADVERTENCIA: No desconecte el aparato tirando del cable. Para desconectar, sujete el enchufe, no del cable.

ADVERTENCIA: Para evitar lesiones, desconecte siempre el enchufe de la toma eléctrica antes de cambiar el papel de lija, quitar el accesorio de vacío, dejando a la máquina, o hacer cualquier tipo de mantenimiento a la máquina.

ADVERTENCIA: No maneje el enchufe o la máquina con las manos mojadas.

ADVERTENCIA: No use con ninguna abertura bloqueada: mantener libre de polvo, pelusa, pelo y cualquier material que reduce el flujo de aire.

ADVERTENCIA: Mantenga el cabello, ropa suelta, dedos y todas las partes del cuerpo alejadas de la apertura y las piezas móviles.

ADVERTENCIA: Apague todos los controles antes de desenchufar la máquina.

ADVERTENCIA: No use la máquina para recoger líquidos inflamables o combustibles tales como gasolina, ni lo use en áreas donde puedan estar presentes.

ADVERTENCIA: Para evitar daños en el cable de alimentación, no dejes que el papel de lija toque el cable de alimentación cuando la máquina está funcionando. Siempre levante el cable de alimentación de la máquina.

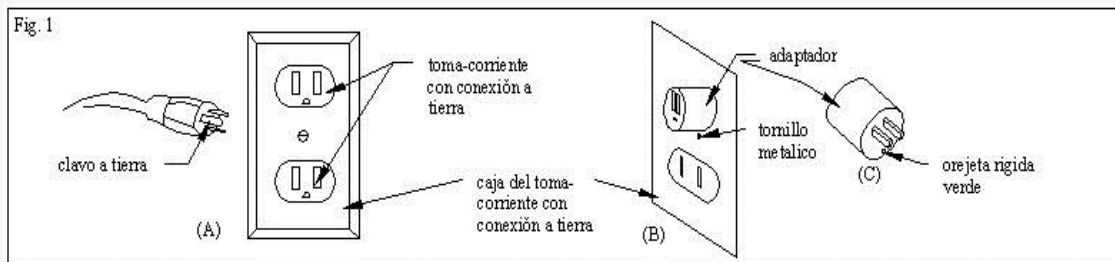
INSTRUCCIONES DE CONEXIÓN A TIERRA

Esta máquina debe estar conectada a tierra. Caso de mal funcionamiento o avería, la conexión a tierra proporciona un camino de menor resistencia a la corriente eléctrica para reducir el riesgo de descarga eléctrica. Esta máquina está equipada con un cable que tiene un conductor de puesta a tierra y conexión a tierra. El enchufe debe ser insertado en un tomacorriente adecuado que esté debidamente instalado y conectado a tierra de acuerdo con todos los códigos locales y ordenanzas.

ADVERTENCIA: La conexión incorrecta de los conductores de puesta a tierra el equipo, puede resultar en un riesgo de descarga eléctrica. Consulte con un electricista calificado o personal de servicio si tiene alguna duda en cuanto a si el enchufe está correctamente conectado a tierra. No, modifique el enchufe suministrado con el equipo, si es que no encaja en el tomacorriente, haga que instale una toma adecuada.

Esta máquina es para uso en un nominal de 120 voltios del circuito, y tiene un enchufe a tierra que se parece al enchufe ilustrado en la figura A en la Figura 1. Un adaptador temporal que se parece al adaptador ilustrado en los dibujos B y C se pueden utilizar para conectar este enchufe a un receptáculo de 2 polos como se muestra en el dibujo B, si bien un con toma de tierra no está disponible. El adaptador temporal debe utilizarse solamente hasta que un electricista calificado puede instalar una toma de tierra (dibujo A). El verde de la oreja rígida de color, oreja, o similar que se extiende del adaptador debe estar conectado a motivos permanentes, como una toma de caja de c terminado. Cada vez que el adaptador se utiliza, debe ser mantenido en su lugar por un tornillo metálico.

Nota: En Canadá, el uso de un adaptador temporal no está permitido por el Código Eléctrico Canadiense



ADVERTENCIA: No use esta máquina con un sistema de conductores de CA tres eléctrico conectado a la toma de tierra eléctrica. Reemplace cualquier corte gastado, o los cables dañados. Vuelva a colocar los enchufes, los receptáculos dañados o cuerpos de los conectores.

ADVERTENCIA: No corte, quite o rompa el terminal de tierra. No trate de instalar un enchufe de tres terminales en un recipiente o cuerpo del conector que no encaja en el enchufe. Si el recipiente o cuerpo del conector no encaja en el enchufe, un electricista calificado para realizar la conexión.

ADVERTENCIA: No mueva la máquina a través de un cable eléctrico. Levante siempre el cable por encima de la máquina.

ADVERTENCIA: Para reducir el riesgo de electrocución, mantenga todas las conexiones secas y fuera de la tierra. No toque el enchufe con las manos mojadas.

CABLES DE EXTENSIÓN

Utilice solamente extensiones de 3 líneas de extensión que tienen 3-prog tipo de puesta a tierra y enchufes de 3 polos conectores de cables que aceptar el enchufe del producto. Utilice sólo los cables de extensión que están destinados a extra-duro servicio. Estas extensiones están señaladas por una que se marquen como "S, SO, ST, o STO". Utilice sólo los cables de extensión con una potencia eléctrica no inferior a la calificación del producto. No use cables dañados de extensión. Examine los cables de extensión antes de utilizarlo y reemplácelo si está dañado. No dañe el cable de extensión y no tire del cable para desconectarlo. Mantenga el cable lejos del calor y bordes afilados. Siempre desconecte el cable de extensión del receptáculo antes de desconectar el producto de la extensión cable.

BACKER PAD / INSTALACION faldón

1. El uso de $\frac{3}{4}$ "una llave de boca para mantener el eje inferior y gire en sentido horario almohadilla de respaldo a la instalación.
2. APRIETE A MANO SOLAMENTE!
3. Ajuste de la máquina en posición vertical sobre el piso.
4. Sujetar la parte desmontable de la falda polvo (US115-146) a la parte inferior de la placa de cubierta de modo que la falda sólo toca el suelo. (si no está instalado correctamente el sistema de vacío puede no funcionar en todo su potencial



INSTRUCCIONES

ADVERTENCIA:

1. Asegúrese de que el interruptor de Sander está en la posición OFF antes de conectar la unidad de in
2. No cambie nunca el papel de lija, mientras que la lijadora está enchufado
3. Revise el disyuntor que se utilizarán, de 20 amperios es el mínimo requerido.
4. Siempre use protección para los ojos, protección para los oídos y la máscara contra el polvo durante la operación de la lijadora.
5. Vacíe el sistema de vacío en un área lejos de materiales inflamables y llamas o fuego.

HERRAMIENTAS NECESARIAS

1. Martillo
2. Barra de palanca, para eliminar recorte
3. Pintar rascador; para raspar las esquinas y lugares de difícil acceso.
4. punzón
5. Limpie con aspiradora sistema; utilizando una 1,5" manga de vacío de identificación para reunir polvo creado por proceso de sanding.
6. Drapeado de plástico, para cubrir y aislar las áreas de trabajo.
7. cinta adhesiva
8. de relleno de madera
9. Alcoholes minerales o paños y tachuelas, para eliminar las partículas de polvo fino antes de su revestimiento de suelos con acabado.

SALA DE AJUSTE Y VERIFICACION DEL PISO

1. Retire todos los muebles existentes, alfombras, tapetes del piso, el desorden, y las cortinas de la zona a lijar. Barrer el piso a fondo.
2. Eliminar todos los clavos, y los sujetadores metálicos que sobresalen de la superficie a lijar. Estos elementos pueden dañar las almohadillas de lijado, papel de lija o impedir el lijado eficaz.
3. Compruebe si hay grietas y nichos en el área que va a lijar y reparar las zonas dañadas. El exceso de daños se pueden reparar con masilla para madera (permitir suficiente tiempo de secado). Siga las instrucciones del fabricante de relleno de madera para su uso.
4. Ponga protección contra el polvo en todas las puertas y rejillas de ventilación de calor en forma de lonas y láminas de plástico. Pase la aspiradora a fondo de la habitación.

CONTROL DE CONDICIONES DE LA PLANTA

Verifique la condición de suelo con una de las siguientes pruebas y siga las instrucciones apropiadas para:

Cera de piso:

Coloque un paño húmedo (aprox. 18 "x 18") en el suelo. Levante después de una hora y compruebe si la coloración turbia. Una coloración blanco turbio indica cera. En este caso, limpie la cera utilizando un removedor de cera antes de lijar se intenta. El exceso de cera va a tapar el papel de lija.

Piso Pintado:

Químicamente quitar la pintura antes de tratar de piso de arena.

Suelo Barnizado:

U-Sand ® equipos se eliminarán la mayoría de los tipos de barniz. El exceso de capas de barniz, sin embargo, puede requerir la eliminación química antes de intentar a la arena del suelo.

Piso sin terminar:

Iniciar el proceso de lijado con la arena por lo menos agresivo posible, avanzando a los granos más finos de papel de lija de grano entre 24 (el más agresivo / gruesa) 36, 40, 60, 80, 100, 120 granos (menos agresivo, grosero). Etc.

OPERACIÓN DE LA U-SAND ® EQUIPO

ADVERTENCIA: Siempre desconecte el enchufe de la toma eléctrica antes de instalar y cambiando el papel de lija.

Seleccione el papel para comenzar:

Seleccione el grano al menos agresiva posible que elimina la cantidad deseada de superficie. Sémola de maíz demasiado agresivo dejará marcas tipo remolino que son difíciles de eliminar con granos más finos que se utilizarán más tarde. Granos que no son lo suficientemente agresiva no tienen lo suficiente de la superficie y dar lugar a más trabajo y un proceso más lento

Instalación de papel:

Papel de lija debe ser instalado por inclinar la máquina hacia atrás y colocando el papel de lija en las almohadillas de respaldo (BP6).

Cambio de papel de lija:

El papel debe ser cambiada cuando note menos tire cuando se ejecuta el equipo y ver menos material que se elimina por el proceso (10-15 minutos).

PRECAUCIÓN: Para evitar daños a los discos de soporte, debe cambiar el papel de lija cuando esté cargado o está obstruido.

PUESTA EN MARCHA DEL PROCESO DE LIJADO

Antes de operar la máquina, asegúrese de que la palanca de ajuste de la manija esté apretado. Vacíe el sistema de vacío cuando está lleno en un recipiente de metal lejos de su área de trabajo y otros Los materiales inflamables (tal vez haya que hacer varias veces durante el proceso). Eliminar el sistema de vacío de la unidad cuando no esté en uso y vacía el contenido tal como se indica más arriba.

PASO 1:

Determinar la condición del suelo. Le recomendamos mirando con 36 granos (24 granos de graves daños o los suelos pesados de poliuretano). Lean la parte posterior de la máquina en su mango. Coloque el papel de lija a la de respaldo de las almohadillas. El uso de papel de lija dependerá del acabado de quitar, y la cantidad de madera que necesita a ser eliminado.

PASO 2:

Con la selección sub-Arena ® equipo en posición vertical, gire la llave y lentamente mover la lijadora sobre el suelo, dejando que la máquina haga el trabajo por usted. Para una instalación nueva, se recomienda mover la máquina a través del grano, esta es la forma más eficaz para nivelar el suelo. (Papel de lija de cambio cuando aparece conectado o sordo).

Secuencia de grano apropiado:

24 si es necesario
36 para la nivelación
40 arena de fondo
80 de lijado final y acabado transparente
120 recomendado para la tinción

PASO 3:

Después de lijar el suelo completamente, con la arena en primer lugar, aspirar el piso a fondo y cambiar el papel con el grano más fino que viene. Continuar el proceso de lijado. Compruebe el papel después de lijar unos 10 'x 10' área para ver que el papel está siendo lijado. Inspeccione el piso para ver si hay marcas de remolino permanecen. Si existen marcas de remolino, continúe a la arena sólo el área con la lija de grano más alto hasta que son menos visibles. Usted debe ponerse cerca del suelo y verlo desde varias direcciones a la luz buena para esta inspección.

PASO 4:

Utilizar sémola progresivamente más altas. La arena del suelo completamente. Este paso se llevará menos tiempo que los granos anteriores. Compruebe el papel de lija con frecuencia para asegurarse de que esté limpio y eficaz.

PASO 5:

Inspeccione el piso a fondo en busca de rayaduras o desniveles. Aplicar el acabado final de grano (normalmente de 120 o de grano 180). En este punto, el piso debe ser lisa y libre de todas las marcas de remolino cuando se examina de cerca.

PASO 6:

Las esquinas y bordes y lijar con una lijadora de detalles o un raspador mano. Un raspador de pintura se puede utilizar para zonas de difícil acceso, tales como: debajo de los radiadores, y en las esquinas. Algunos lijado a mano puede ser necesario en estos lugares cancelar. Inspeccione el piso a fondo para determinar cuando haya terminado de lijar.

PASO 7:

Aspire el suelo y limpie con un trapo pegajoso (disponible en su ferretería local). A continuación, aplique tinte o barniz como se desee. Siga las recomendaciones del fabricante para la tinción y el acabado.

PASO 8:

ADVERTENCIA: Las máquinas pueden hacer que los materiales y vapores inflamables se incendien. No utilice esta máquina con o cerca de fósforos, combustibles, polvo de granos, solventes, disolventes u otros materiales inflamables.

ADVERTENCIA: Para evitar lesiones siempre retire el enchufe eléctrico del tomacorrientes antes de cambiar el papel de lija, vaciar la bolsa, dejar la máquina, o hacer cualquier tipo de mantenimiento a esta máquina.

QUITAR LA BOLSA DE POLVO:

Separe las tiras de velcro y retire el tubo de recolección de polvo del ventilador. Vacíe la bolsa en algún recipiente para metal o no inflamable lejos de su área de trabajo. **NO DEJES LA BOLSA DE POLVO EN LA UNIDAD CUANDO NO ESTÉ EN USO.** Quítala de la máquina cuando no esté en uso por dos (2) minutos o más y guárdala en un recipiente de metal alejada de objetos inflamables. **NO TRANSPORTES LA MÁQUINA CON LA BOLSA DE POLVO ADHERIDA.** Quítala de la unidad, vacíala y guárdala por separado.

AJUSTE DE LA POSICIÓN MANGO

Afloje la perilla de color negro (US146-146) y luego ajuste la posición de la palanca como se desee. Apriete el botón negro una vez ajustado.

ALMACENAMIENTO CORRECTO DEL CABLE DE ALIMENTACIÓN

Envolver el cable de alimentación alrededor del marco de la máquina para su almacenamiento. A continuación, ajuste la palanca a la posición más baja y la máquina y la tienda en posición vertical.



LIMPIEZA Y ALMACENAMIENTO

Eliminar el sistema de polvo de la unidad. Deseche el contenido de distancia del área de trabajo en un área no inflamable. Limpie el exterior de la unidad con un paño húmedo. Deje la última arenilla de papel de lija en las almohadillas de respaldo de transporte y almacenamiento. Esto protegerá el gancho y bucle de las almohadillas de soporte.

LIMITED WARRANTY

Cherryhill Manufacturing Corporation warrants to the first purchaser that this U-Sand® brand product (the “product,”) when shipped in its original container, will be free from defective workmanship and materials, and agrees that it will, at its option, either repair the defect or replace the defective Product or part thereof at no charge to the purchaser for parts only for the period(s) of one year from the date of purchase. This limited warranty does not cover failure to function caused by damage to the product while in your possession, improper installation, unreasonable use or abuse of the product, failure to provide or use proper maintenance, failure to follow the written installation and use instructions, or any use other than personal or household purposes. Further, the limited warranty does not apply to any appearance items of the Product nor to the additional excluded item(s) set forth below nor to any product the exterior of which has been damaged or defaced, which has been subjected to misuse, abnormal service or handling, or which has been altered or modified in design or construction.

In order to enforce the rights under this limited warranty, the purchaser should follow the steps set forth below and **MUST** maintain proof of purchase of the product.

The limited warranty described herein is in addition to whatever implied warranties may be granted to purchasers by law. ALL IMPLIED WARRANTIES INCLUDING THE WARRANTIES OF MERCHANTABILITY AND FITNESS FOR USE ARE LIMITED TO THE PERIOD(S) FROM THE DATE OF PURCHASE SET FORTH BELOW. THE REMEDIES PROVIDED IN THE EXPRESS LIMITED WARRANTY HEREIN ARE THE SOLE AND EXCLUSIVE REMEDIES AVAILABLE TO YOU. NO OTHER EXPRESS WARRANTIES ARE MADE. ALL IMPLIED WARRANTIES, INCLUDING BUT NOT LIMITED TO ANY IMPLIED WARRANTY OF MERCHANTABILITY OR FITNESS FOR A PARTICULAR PURPOSE OR USE, ARE LIMITED IN DURATION AS SET FORTH BELOW. IN NO EVENT SHALL MANUFACTURER BE LIABLE FOR ANY INCIDENTAL OR CONSEQUENTIAL INJURIES. Some states do not allow limitations on how long an implied warranty lasts, so the herein limitation may not apply to you.

Neither the sales personnel of the seller nor any other person is authorized to make any warranties other than those described above, or to extend the duration of any warranties beyond the time period described herein on behalf of Cherryhill Manufacturing Corporation.

The warranties described herein shall be the sole and exclusive warranties granted by Cherryhill Manufacturing Corporation and shall be the sole and exclusive remedy available to the purchaser. Correction of defects, in the manner and for the period of time described herein, shall constitute complete fulfillment of all liabilities and responsibilities of Cherryhill Manufacturing Corporation to the purchaser with respect to the Product, and shall constitute full satisfaction of all claims, whether based on contract, negligence, and strict liability or otherwise. In no event shall Cherryhill Manufacturing Corporation be liable, or in any way responsible, for any damages or defects in the product which were caused by repairs or attempted repairs performed by anyone other than an authorized servicer.

THIS WARRANTY GIVES YOU SPECIFIC LEGAL RIGHTS. YOU MAY ALSO HAVE OTHER RIGHTS, WHICH VARY FROM STATE TO STATE.

Your Product Model Number: U-SAND® Sander _____

Warranty Period for this Product: One (1) year on all parts, excluding those items expressly excluded as set forth below.

Additional Items Excluded From Warranty Coverage: Appearance items of the product, knobs, electrical cord, plugs, handle grips, dust skirt, drive belt, sanding pads, wheels, dust bag and dust bag attachment/assembly, or to accessories, mounting kit, seals, bearings or any printed materials.